

## Rotary Damper Actuator

Spring Return 8 Nm

2 Point on/off Control



- NENUTEC **NAFA...08 (S)** 5 Nm Spring Return damper actuator Series are designed specifically for application into the HVAC market or light industrial market and telecommunication module.
- NENUTEC high quality spring return damper actuators are developed for use with air damper, butterfly valve, characterized ball valve with the use of special adaptor.

### Product Features

- 2 points on/off control
- Damper Size up to 1.0 m<sup>2</sup>
- Voltage AC/DC 24V and AC 230V available
- Universal Spindle Clamp for easy direct mounting
- Shaft dimension Ø10...16 mm / 7...11 mm square
- Minimum Shaft Length 40mm
- Anti-rotation bracket provided for stability
- Adjustable angle of rotation
- Selectable direction of rotation by reversing actuator
- 1 adjustable SPDT auxiliary switches when requested

### Model Selection Table

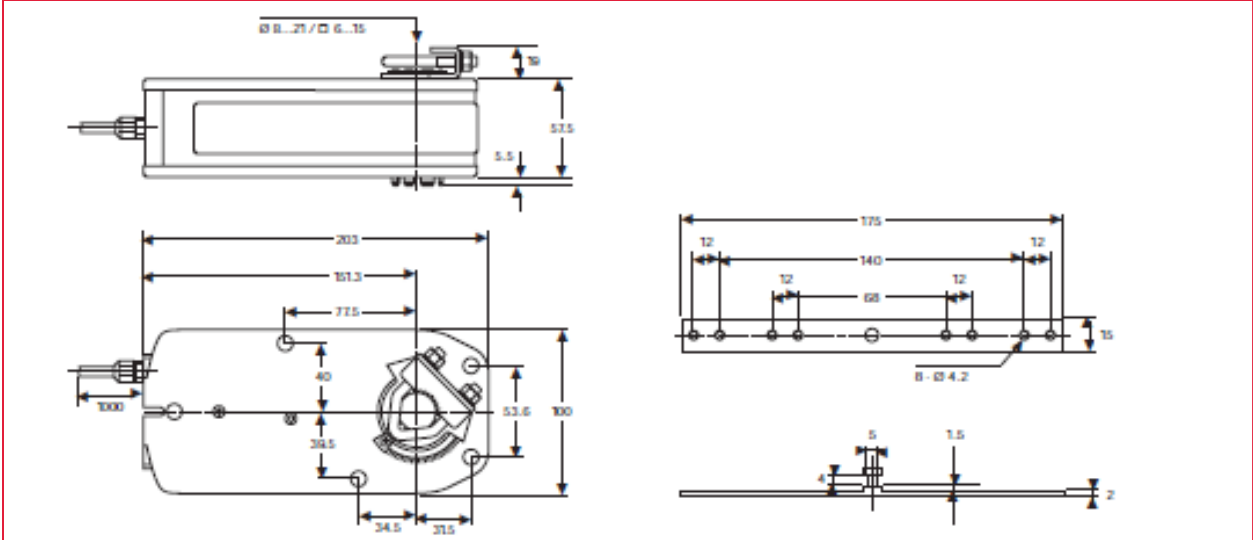
Torque	Running Time	Power Supply	Auxiliary Switches	Model/Type
8 Nm	70 sec	AC/DC 24V	No	NAFA 1-08
	Spring Back <25 sec		1 x SPDT	NAFA 1-08S
8 Nm	70 sec	AC 230V ±10%	No	NAFA 2-08
	Spring Back <25 sec		1 x SPDT	NAFA 2-08S

## Rotary Damper Actuator

Spring Return 8 Nm

2 Point on/off Control

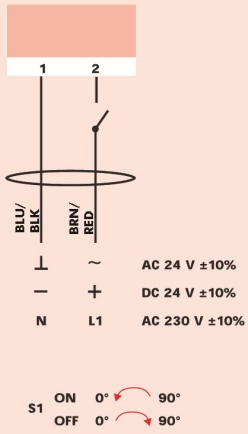
### Actuator Dimensions (mm)



### Technical Specification

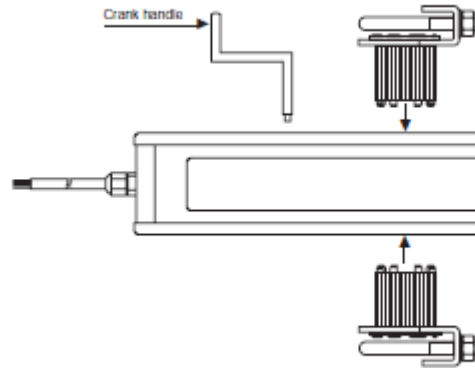
	NAFA 1-08 (S)	NAFA 2-08 (S)
Torque		8 Nm
Damper Size		1.5 m <sup>2</sup>
Power Supply	AC/DC 24 V	AC 230 V ±10%
Frequency		50...60Hz
Power Consumption		
-Operating	7.0 W	8.0 W
-At the end stops	2.0 W	5.5 W
For wire sizing		8.0 VA
Auxiliary Switches Rating (Amp and Voltage)	3 (1.5) A / 230 V (for 24 V and 230 V)	
Protection Class	II (for 24 V and 230 V)	
Controls Signal	2 Point On/Off	
Angle of Rotation	-5...+90° (mechanical)	
Angle of Rotation Limiting	Mechanical end stops	
Weight	2.2 Kg	
Life Cycle	60,000 rotation	
Sound Level	Max. 45 dB (A)	
IP Protection	IP54	
Ambient Temperature	-20°...+50°C / IEC 721-3-3	
Inventory Temperature	-30°...+60°C / IEC 721-3-2	
Ambient Humidity	5...95% rH non condensing	
Maintenance	Maintenance free	
Impact	Typ I / EN 60730-1	
Standardize	89/336/CE	

### Wiring Diagram NAFA..08



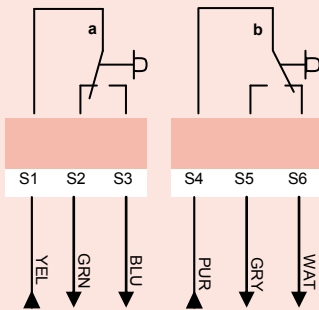
### Changing Direction of Rotation

#### Changing direction of rotation



⚠ 24VAC/DC: Conned via safety isolating transformer.  
 230 VAC: To isolate from the main power supply, the system must incorporate a device which disconnects the phase conductors (with at least a 3 mm contact gap).

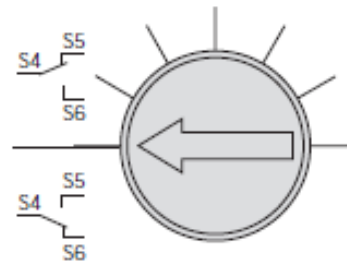
### Auxillary switches (S)



### Auxiliary Switches adjustment NAFA...08 (S)

Switch a actory set at 5°

Switch b adjustable 0°.....90°

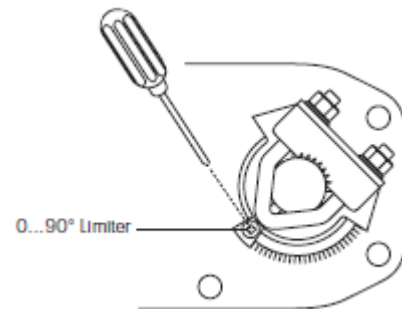


Built-in Micro Switch Adjustment (for NAFA)  
 Move the screw of the microswitch

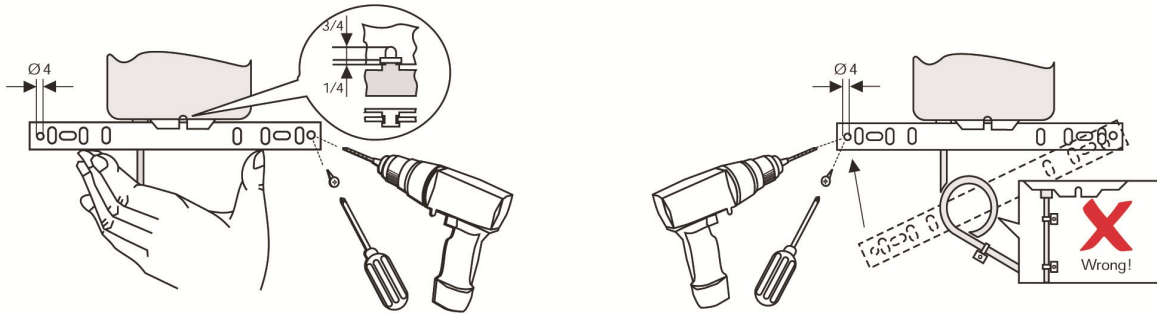
### Angle of Rotation Limiting

Mechanical Limited Adjustment

1. Loosen screw of the mechani limited.
2. Move the limited to the appropriate position.
3. Tighten on the screw.



## Installation / Mounting Instruction



## OEM Customised Version on Request

TELIMA/NENUTEC offers you actuators in customised versions, e.g. with your own brand name, with colour-coordinated applications and with your particular demand. Please contact us for further information.

## Important Remark

Consult NENUTEC representatives for specific requirements and material selections for your intended application.



This actuator includes electrical and electronic components and may not be disposed as household garbage. Please consider the local valid legislation.



AC / DC 24 V: Connect via safety isolating transformer.  
 AC 230 V: To isolate from the main power supply, the system must incorporate a device which disconnects the phase conductor (with at least a 3 mm contact gap).

### Main Office :

**NENUTEC®**

**NENUTEC ASIA PACIFIC PTE LTD**

7030 Ang Mo Kio Ave 5 #08-55

Northstar@AMK

Singapore 569 880

Phone : +65 6570 3233

Fax : +65 6570 6783

Email : info@nenutec.com.sg

Website : www.nenutec.com.sg

### Headquarter:



**TELIMA AG**

Schachenstrasse 80

CH-8645 Jona / Switzerland

Phone : +41 55 212 40 60

Fax : +41 55 212 40 69

Email : info@telima.ch

Website : www.nenutec.com