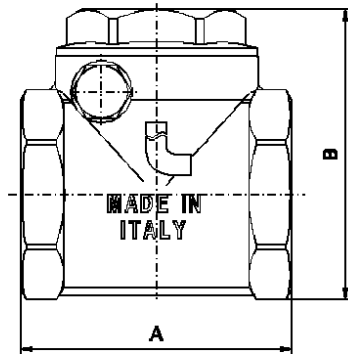


130

SWING CHECK VALVE

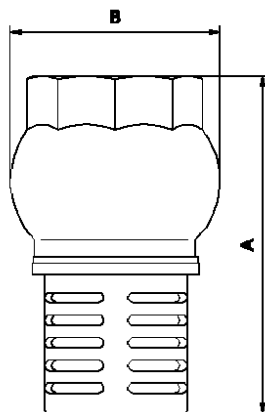


Body in brass
 O-ring of the hexagonal plug in NBR
 Washer of the inspection plug in NBR (in fibre until sell-out)
 Plate in brass
 Minimum and maximum working temperatures: 0°C, 90°C.
 Threads: ISO228 (equivalent to DIN259 and BS2779)
Available 3/8" through 2" with NBR seal, 3/8" through 4" with metal seal.

SIZE	3/8"	1/2"	3/4"	1"	1"1/4"	1"1/2"	2"	2"1/2"	3"	4"
A (mm)	43	43	52	62	72	81	94	119	134	169
B (mm)	50	50	59.5	68	77	88	100	128	148	185
WORKING PRESSURE kg/cm ² BAR	12	12	12	12	10	10	10	8	8	8
WORKING PRESSURE PSI	170	170	170	170	140	140	140	110	110	110

140

FOOT VALVE



Body and strainer in brass
 Strainer washer in fibre
 Plate in brass
 Seal in NBR
 Minimum and maximum working temperatures: 0°C, 90°C.
 Thread: ISO228 (equivalent to DIN259 and BS2779)

SIZE	1/2"	3/4"	1"	1"1/4"	1"1/2"	2"	2"1/2"	3"	4"
A (mm)	59.5	70.5	82	94.5	102	119.5	139.5	174.5	194.5
B (mm)	39	45	51	61	68.5	80	100	121	145
WORKING PRESSURE kg/cm ² bar	10	10	10	8	8	8	6	6	6
WORKING PRESSURE PSI	140	140	140	110	110	110	90	90	90



ART. 130-140