

### SAFETY SHUT-OFF VALVES SVB SERIES

TECHRITE-ECONEX SBV gas safety shut-off valves are equipped with a new concept powerful solenoid which provides higher operating pressures and flow capacities than most comparable valves now available.

The SBV valves with CE Product – ID Number are approved to EN161 and Australian Gas Association approval (No. 5570). The EMC compatibility has also been certified. They are particularly suitable for both manual and automatic control of gases belonging to the first, second and third family and of air.

They are suitable to be installed on industrial, atmospheric and forced draft burners.

#### TECHNICAL FEATURES

Valve	: Brass
Trim	: Stainless Steel
Seat Disc	: Buna "N"
Pipe Connections	: Rp 3/8, Rp 1/2 and Rp 3/4" according to ISO 7-1
Orifice diameter	: 8 to 13mm
Inlet pressure	: 20 kPa, 100kPa (see table inside)
Opening / Closing time	: < 1 second
Ambient temp. range	: -10 to +60°C
Standard supply voltage	: 230V A.C.
On Request	: 110V A.C. 24V A.C. 24V D.C. 12V D.C.
Frequency	: 50/60 Hz
Rating	: 18 VA and 22 VA
Connector	: DIN 43650-A (ISO 4400) Pg. 11 with rectifier
Cable inlet	: Adjustable 90° by 90°
Enclosure	: IP 65-IEC 529
Duty cycle	: Continuous



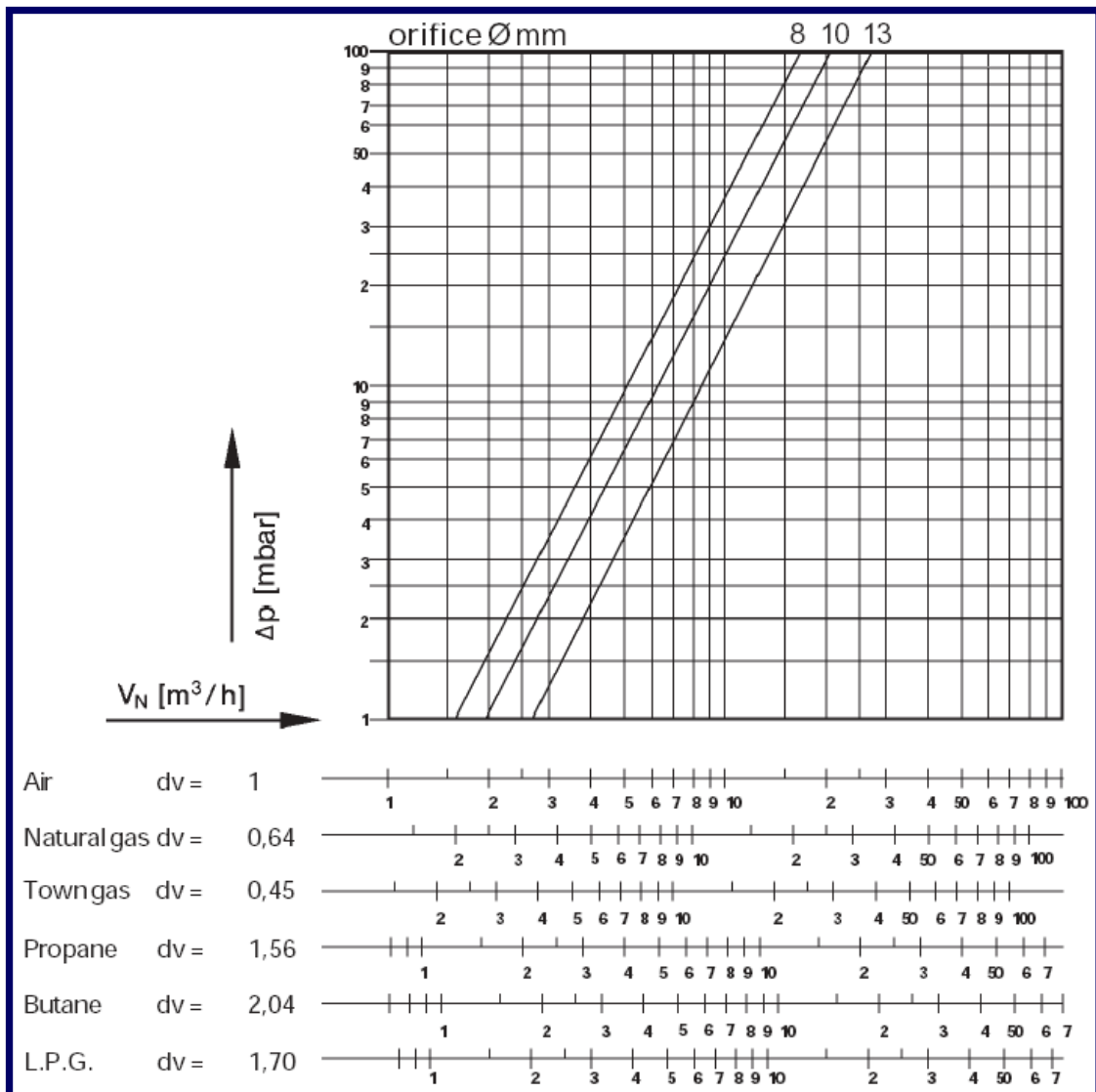
#### FEATURES

- **Class A**
- **Normally closed operation**
- **Quick opening / closing**
- **Installation (see installation instructions)**
- **Quiet operation**
- **Coil moulded resin**
- **Coil in direct current with rectifier inside the plug connector**
- **AGA Approval No. 5570**

**PLEASE NOTE:** TECHRITE CONTROLS AUSTRALIA P/L reserves the right to modify the above specifications at any time and at its discretion.

SIZE		CLASS	KVs	Max. operating pressure differential (kPa)	Current load rating (VA)	Coil Type	Model 230V-A.C. 50/50hz
Pipe (Rp)	Orifice (mm)						
3/8	8	1	1,73	100	22	A01	SVB08C09A01
½	10	1	2,10	100	22	A01	SVB10C15A01
½	13	1	2,83	20	22	A01	SVB13C15A01
3/4	13	1	2,83	20	22	A01	SVB13C20A01

### FLOW CHART



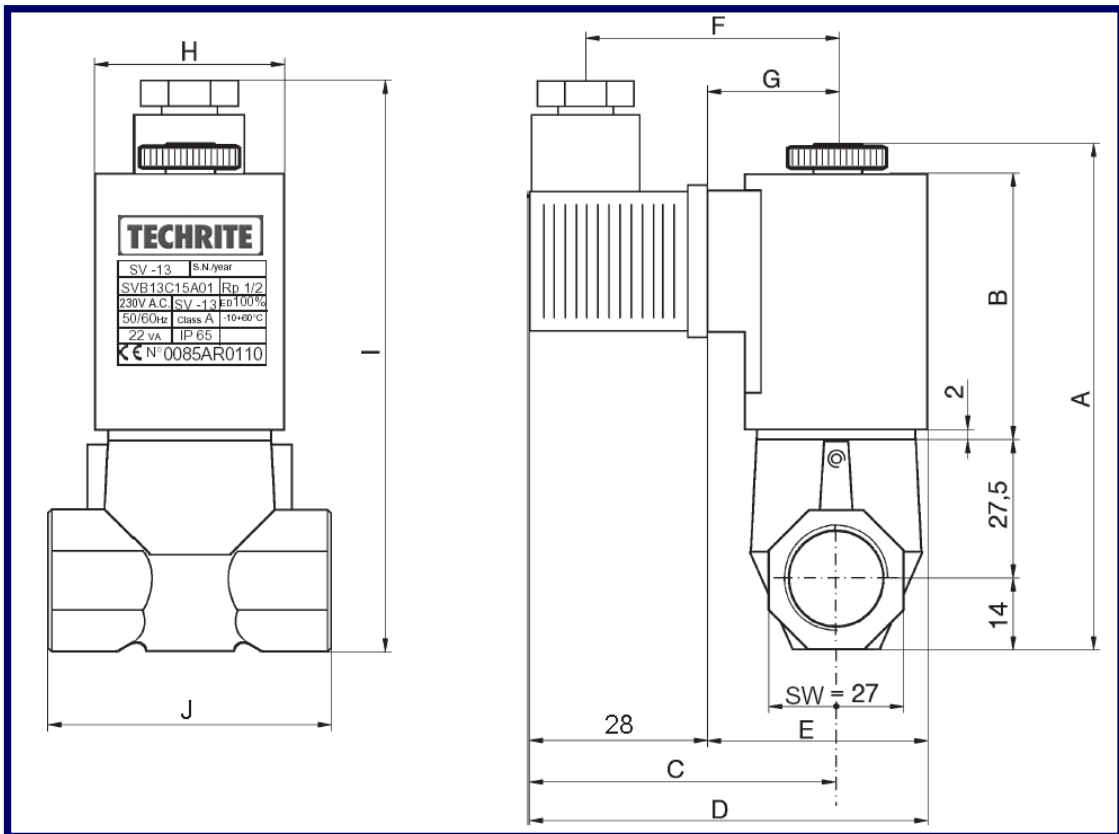
### PLEASE NOTE:

In the model description, the 6<sup>th</sup> letter denotes the following:

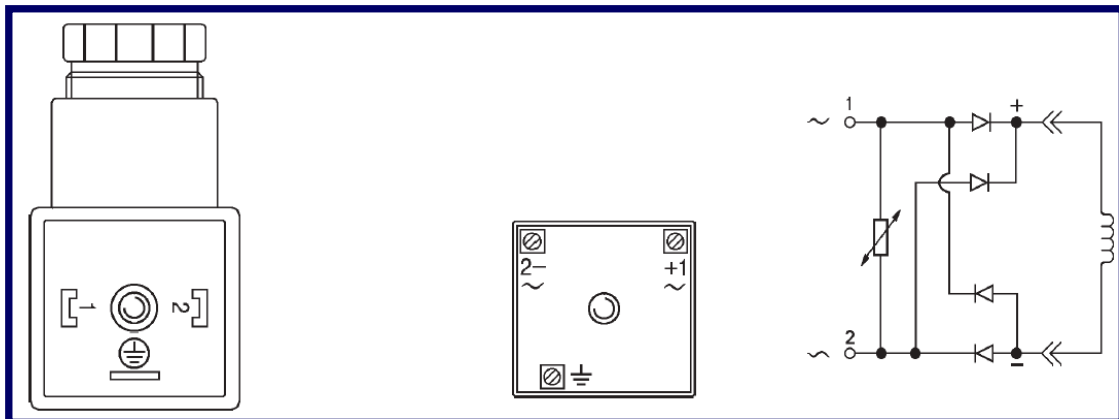
- **A** for 24V A.C. 50/60Hz
- **B** for 110V A.C. 50/60Hz
- **C** for 230V A.C. 50/50 Hz
- **E** for 24V D.C.
- **F** for 12V D.C.

Size						Dim						Weight (Kg)	Model 230V AC 50/60Hz
Pipe (Rp)	Orifice (mm)	A	B	C	D	E	F	G	H	I	J		
3/8	8	99	52	54	75	44,5	45	26,0	37,0	115	55	0,6	SVB08C09A01
1/2	10	99	52	54	75	44,5	45	26,0	37,0	115	55	0,6	SVB10C15A01
1/2	13	99	52	54	75	44,5	45	26,0	37,0	115	55	0,6	SVB13C15A01
3/4	13	102	52	54	75	44,5	45	26,0	37,0	116	60	0,7	SVB13C20A01

UNIT DIMENSIONS (mm)



WIRING DIAGRAM



**WARNING:** Please read the operating instructions before use! This equipment must be installed to the requirements of the local authorities, both gas and electrical.

## INSTALLATION AND OPERATING INSTRUCTIONS

1. Make sure that all operating data indicated on the safety shut-off valve label correspond to those of the system.
2. Remove the protection plugs from the safety shut-off valve.
3. Before installing the safety shut-off valve, make sure that the pipeline is free from impurities and perfectly aligned with the valve body. The pipeline must be vibration free.
4. The sealing material must be applied to the external thread of the pipeline only and not to the internal thread of the safety shut-off valve.
5. The flow direction indicated by the arrow on the valve body must be respected.
6. The safety shut-off valve can be installed either horizontally or vertically, provided that the coil is not turned downwards.
7. For installing the safety shut-off valve on the pipeline do not use the magnet as a lever, but the proper wrench.
8. The equipment is maintenance free.

*All reported data are subject to change without notice.*

**TECHRITE**

**INDUSTRIAL CONTROLS**

- SOLENOID & CONTROL VALVES
- REGULATORS, METERS & GAS FILTERS
- INDUSTRIAL COMBUSTION EQUIPMENT
- CONTROL MOTORS
- PRESSURE SWITCHES
- IGNITION TRANSFORMERS & DEVICES
- COMMERCIAL & DOMESTIC CONTROLS
- ATMOSPHERIC BURNERS
- THERMOSTATS & TEMPERATURE CONTROL INSTRUMENTS
- MISCELLANEOUS

### TECHRITE CONTROLS AUSTRALIA

Head Office:

12 Yiannis Court, Springvale, VIC 3171

Tel: (03) 9562 4844 Fax: (03) 9546 6069

Email: [info@techrite.com.au](mailto:info@techrite.com.au)

### DISTRIBUTED BY

MELBOURNE  
Ph: +61 3 9549 4444  
Fax: +61 3 9546 6069

SYDNEY  
Ph: +61 2 9624 4486  
Fax: +61 2 9624 6449

BRISBANE  
Ph: +61 7 3200 7877  
Fax: +61 7 3200 7866

Visit us at: [www.techrite.com.au](http://www.techrite.com.au)