

# Control device for system leakage test

## DSLCL px Vx

8.21

**DUNGS®**  
Combustion Controls

ne novità  
nouveau new

- Visual display of the entire program sequence
- Display of the leaky valve
- Display remains visible if there is loss of voltage
- The unit is switched off for safety reasons after 10 unsuccessful venting attempts (not available with 24 VDC version)
- IP 42



### Technical description

Together with one or two gas pressure switches, the DSLCL control device built according to EN 1643 for system leakage tests checks the burner gas shut-off valves for leakage.

A synchronous gear motor with control cams controls the DSLCL program sequence via microswitches.

### Application

The DSLCL is suitable for automatic leakage tests between two solenoid valves in gas-consuming devices.

The testing system can be used alone for leakage tests or combined with all types of automatic burner control systems.

It can be used in gas burner control systems for heating and industrial purposes, gas combustion motors etc., with or without pipes for venting into the open air.

### Approvals

EU type test approval as per EU Gas Appliance Directive:

DSLCL px Vx      CE-0085 AQ 0808

EU type test approval as per EU Pressure Equipment Directive:

DSLCL px Vx      CE0036

Approvals in other important gas-consuming countries.

**DSLCL px Vx**

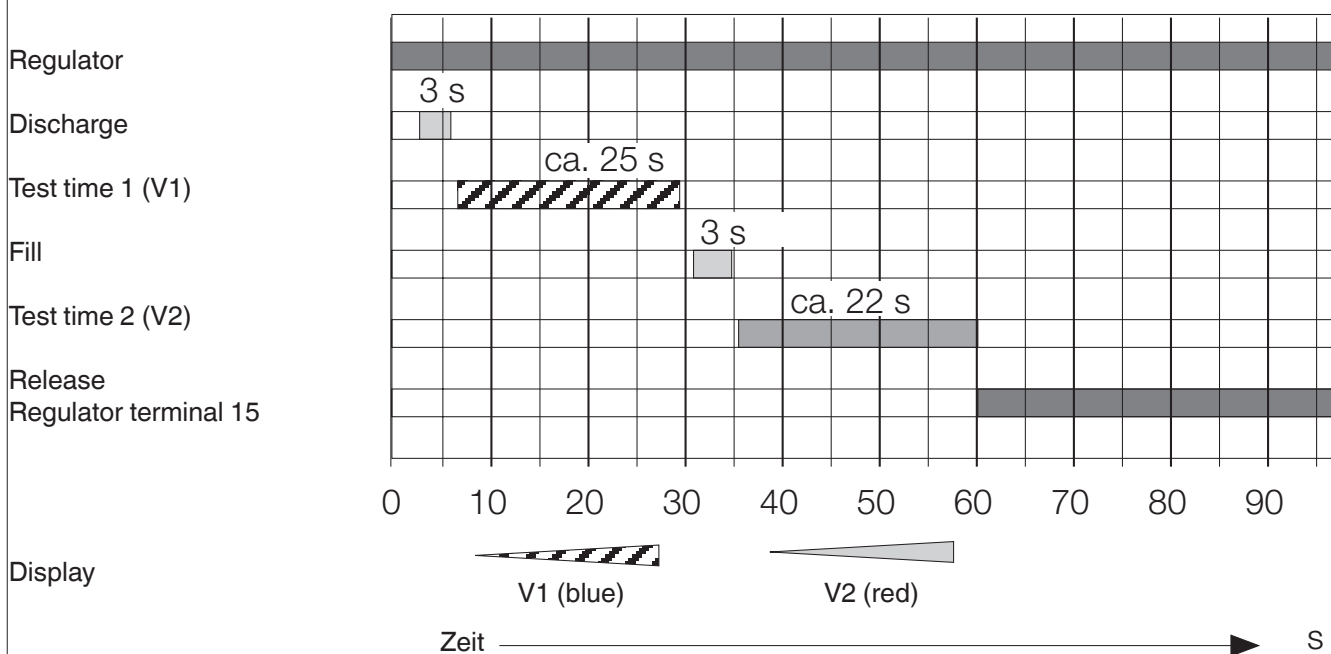
Control device built according to EN 1643:2001-02 for system leakage tests for all pressures (px) and unlimited testing volume (Vx)

**Technical data**

Nominal voltage	~(AC) 230 V (-15 % / +10 %), 50 Hz ~(AC) 110 V (-15 % / +10 %), 50 Hz = (DC) 24 V (± 20 %)	
Test volume	min. 1,5 l	
Power requirement	approx. 5 VA	
Back-up fuse (to be provided by the customer)	10 A quick-acting or 6.3 A slow-acting fuse	
Load on contact	Operating output (terminal 15)	max. 4 A
	Fault output (terminal 5)	max. 1 A
	Pressure switch (terminals 1, 2, 11)	min. 1 A
	Fault unlocking (terminals 4, 7)	min. 1 A
	Valves (terminals 9, 10, 14)	max. 2 A

**⚠ The permissible breaking capacities must be observed! The current input of all solenoid valves, motors etc. which are switched via the controller circuit must not exceed 4 A.**

Degree of protection	IP 42
Ambient temperature	0 °C bis +60 °C
Test cycle	approx. 60 s
Valve opening times	max. 3 s
Test time V1 (valve on gas side)	min. 22 s
Test time V2 (valve on burner side)	min. 20 s
Switch-on duration of the control	100 % ED
Installation position	any

**Program flowchart DSLCL px Vx**

**Functional description and program sequence shown with 1 pressure switch**

The section from valve seat V1 to valve seat V2 is called “test section”. The DSLC performs a test before every burner start-up, i.e. when heat is requested by the controller or after the unit is switched off due to loss of mains voltage, gas shortage etc. The test consists of two phases:

1. Test of the valve (V1) on the gas inlet side
2. Test of the valve (V2) on the burner side

When heat is required, the controller circuit is closed, and the DSLC receives voltage and starts the test cycle (approx. 60 s).

At the beginning of the first test phase

(figure 1a), valve V2 is opened for max. 3 s.

The pressure in the test section must drop to atmospheric pressure, i.e., the pressure switch  $P_p$  must switch back after the pressure is relieved. If it is not possible to evacuate the test section, the pressure is relieved again after 60 s.

During the subsequent test time (figure 1b) the pressure built up in the test section must not exceed the switch point of the pressure switch  $P_p$ .

However, if this happens due to leakage in solenoid valve V1, the DSLC takes the fault position and prevents the burner from being started.

The red fault display lights up. There is voltage at terminal 5 of the device for teleindication of the fault.

The DSLC opens valve V1 for max. 3 s before the second test phase (figure 2a).

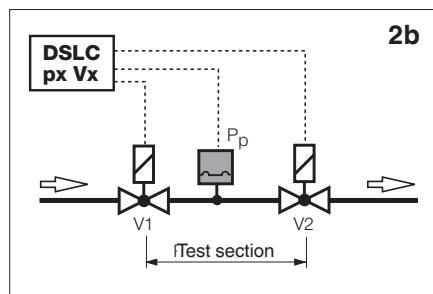
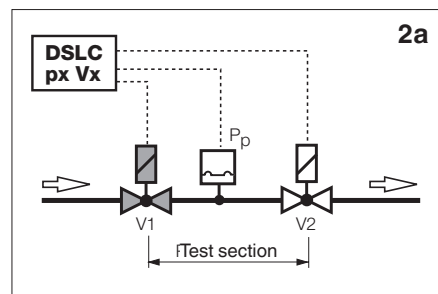
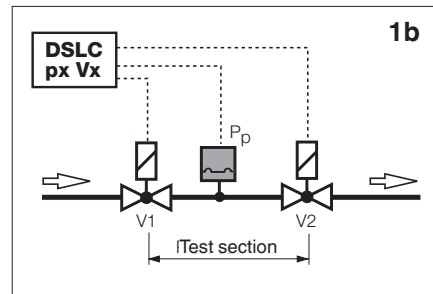
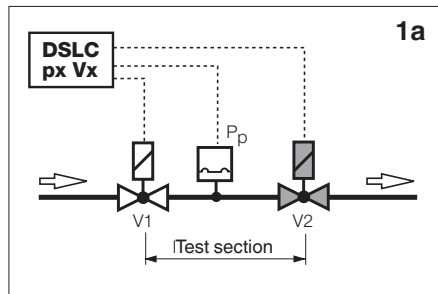
Thus, the test section is under gas pressure, and the second test phase begins.

During the subsequent test time (figure 2b) the pressure in the test section must not drop below the switch point of the pressure switch  $P_p$ .

However, if the pressure falls due to leakage in valve V2, the pressure switch  $P_p$  reports this and the DSLC is locked in the fault position.

All parts lying in the test section, such as pressure switches, pipes, screw joints etc., are simultaneously tested for leakage.

Only after the second test phase, too, shows that all parts are “properly sealed”, the DSLC through-connects the controller circuit (voltage at terminal 15) and enables the program sequence for starting up the burner.



**DSLС px Vx – behaviour if venting is not performed successfully (not available with 24 VDC version):**

If venting is not performed successfully, e.g. if valve 1 has a large leak, the DSLC continues running and tries to vent again after a minute. After 10 unsuccessful attempts, the DSLC switches to the fault position. The red fault display lights up.

## Venting in the firing chamber

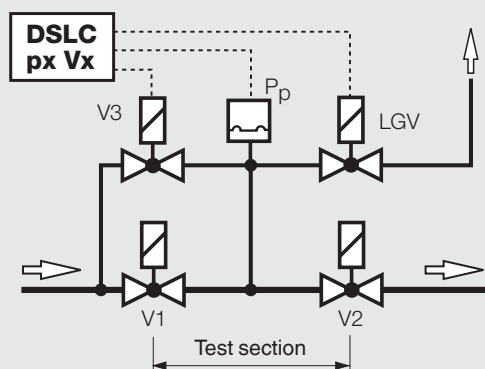
According to EN1643 venting may be carried out in the firing chamber if the volume released [m<sup>3</sup>] per test cycle does not exceed 0.05 % of the nominal volume flow [m<sup>3</sup>/h].

Example:

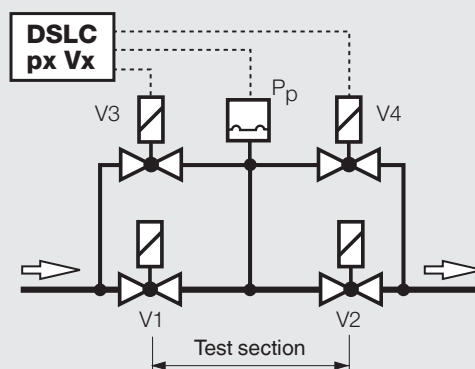
For a nominal volume flow of 100 m<sup>3</sup>/h, the permissible volume is 0.05 m<sup>3</sup> = 50 dm<sup>3</sup>

### Schematic diagrams

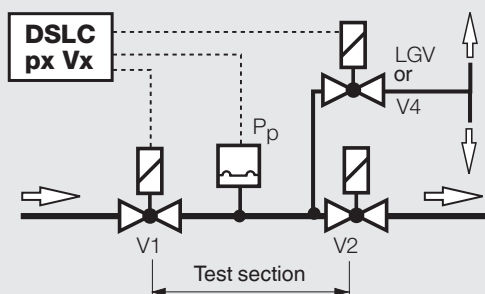
#### 1. Valve test with auxiliary valves V3, LGV



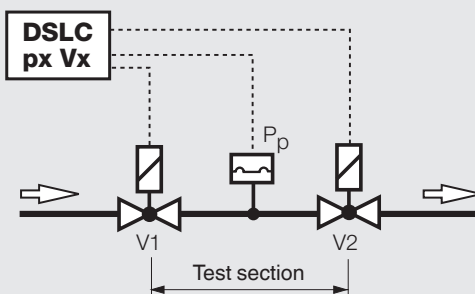
#### 2. Valve test with auxiliary valves V3, V4



#### 3. Direct valve test V1 with auxiliary valve V4 or LGV




#### 4. Direct valve test V1, V2



#### Legend to schematic diagrams

- V1 Safety solenoid valve
- V2 Burner solenoid valve
- V3 Filling gas solenoid valve
- V4 Discharge solenoid valve
- LGV Leakage gas solenoid valve
- P<sub>p</sub> Test pressure switch

 The function principle must be selected according to local regulations!

 The valves used must meet the requirements of EN 161!

## Nominal diameter

For main actuators > DN 65, auxiliary valves should be used.

## Avoiding leakage

The most common reason for leaky actuators is dirt accumulation.

Therefore, the gas filter preceding the gas control section must be sufficiently large. Special attention must be paid to loss of pressure in the filter, i.e. the filter must be checked and cleaned at regular intervals.

### Test pressure switch

One or two pressure switches can be used for monitoring the pressure in the test section:

A change-over contact is required if a **common pressure switch (P<sub>p</sub>)** is used for test phases 1 and 2.

The switch point of the pressure switch must be set to half of the gas flow pressure.

If set properly, **two pressure switches** detect even small amounts of leaked gas. The amounts of leaked gas can be individually set to the required value for:

**test phase 1** (safety solenoid valve) with pressure switch **P1** and

**test phase 2** (burner solenoid valve) with pressure switch **P2**.



**The pressure switches used must meet the requirements of EN 1854!**

### Limit value

The DSLC must prevent ignition and the opening of the actuators at a limit value < 0.1 % of the burner consumption (with regard to the burner capacity), or < 50 dm<sup>3</sup>/h (the higher value must be taken into account). We recommend that a max. limit value of 200 dm<sup>3</sup>/h should not be exceeded.

### Gas leakage rate

The gas leakage rate can be recalculated using the equations, and the switch points of the test switches can be changed if necessary.

### Test volume of valves and pipelines

Nominal diameters Rp DN	dm <sup>3</sup> Valve	dm <sup>3</sup> /m Pipeline
1/20,07	0,20	
3/40,12	0,30	
1	0,20	0,50
1 1/2 0,50	1,40	
2	0,90	2,00
40	0,70	1,40
50	1,20	2,00
65	2,00	3,40
80	3,80	5,00
100	6,50	8,00
125	12,50	12,40
150	17,50	17,80
200	46,00	31,40

Test volume DSLC:  
min. 1,5 dm<sup>3</sup>

$\dot{V}_{V1}$  = leak rate V1

$$\dot{V}_{V1} = \frac{(p_1 - p_{\text{disch}}) \cdot V_p \cdot 3600 \text{ s/h}}{p_{\text{atm}} \cdot t_{\text{test V1}}} \text{ dm}^3/\text{h}$$

$\dot{V}_{V2}$  = leak rate V2

$$\dot{V}_{V2} = \frac{(p_{\text{fill}} - p_2) \cdot V_p \cdot 3600 \text{ s/h}}{p_{\text{atm}} \cdot t_{\text{test V2}}} \text{ dm}^3/\text{h}$$

### Calculation examples (calculation steps I and II) for a DN 100 test section:

#### I) Calculation of the volume of the test section

V1 + V2, DN 100	V = 6.50 dm <sup>3</sup>
Line DN 100, length 1.5 m	V = 12.00 dm <sup>3</sup>
V3 + V4, Rp 1/2	V = 0.07 dm <sup>3</sup>
Line V3 / V4 1/2", length 2 m	V = 0.40 dm <sup>3</sup>

---


$$V_p = 18,97 \text{ dm}^3$$

#### II) Calculation of leak rates

	System with 1 pressure switch	System with 2 pressure switches
Burner capacity	30 m <sup>3</sup> /h	400 m <sup>3</sup> /h
p <sub>1</sub>	11 mbar	60 mbar
p <sub>2</sub>	9 mbar	220 mbar
p <sub>disch</sub>	1 mbar	18 mbar
p <sub>fill</sub>	18 mbar	500 mbar
p <sub>atm</sub>	1013 mbar	1013 mbar
t <sub>testV1</sub>	25 s	25 s
t <sub>testV2</sub>	22 s	22 s
limit value as per standard	50 dm <sup>3</sup> /h	400 dm <sup>3</sup> /h
Recommended limit value		200 dm <sup>3</sup> /h

#### Result of the calculation:

Leak rate V1	$\dot{V}_{V1} = 26,97 \text{ dm}^3/\text{h}$
Leak rate V2	$\dot{V}_{V2} = 27,58 \text{ dm}^3/\text{h}$

$$\dot{V}_{V1} = 113,26 \text{ dm}^3/\text{h}$$

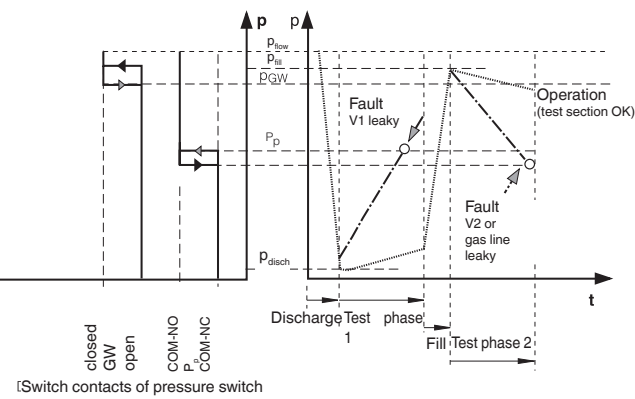
$$\dot{V}_{V2} = 183,86 \text{ dm}^3/\text{h}$$

#### Legend of the calculations:

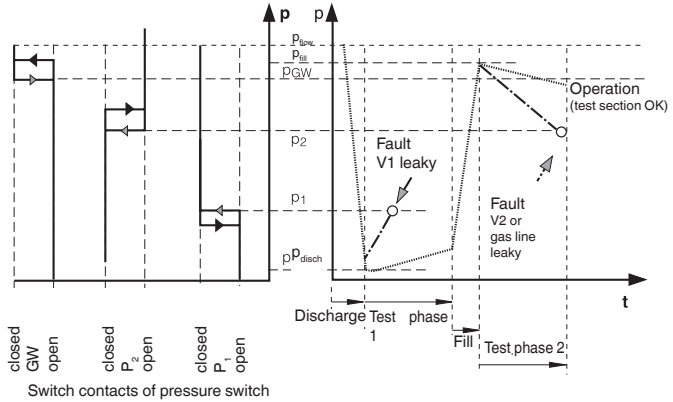
p <sub>1</sub>	= switch point of pressure switch P1 or Pp rising [mbar]
p <sub>2</sub>	= switch point of pressure switch P2 or Pp falling [mbar]
p <sub>disch</sub>	= gas pressure after discharge [mbar]
p <sub>fill</sub>	= gas pressure after filling [mbar]

p <sub>atm</sub>	= atmospheric pressure [mbar]
t <sub>testV1</sub>	= test time V1 [s]
t <sub>testV2</sub>	= test time V2 [s]
V <sub>p</sub>	= test section volume [dm <sup>3</sup> ]

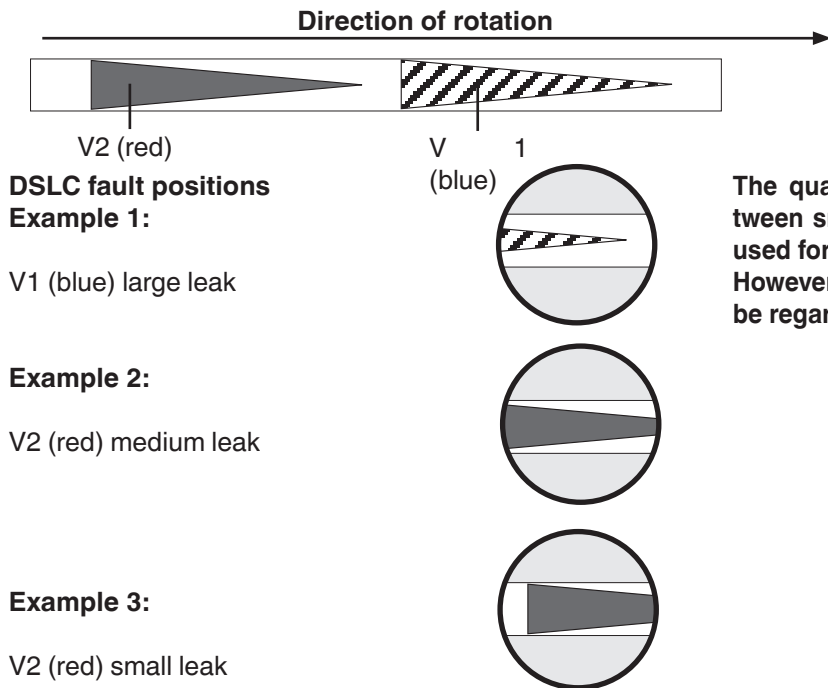
**Switch points of the test pressure switch (1 pressure switch)**



**Switch points of the test pressure switch (2 pressure switches)**

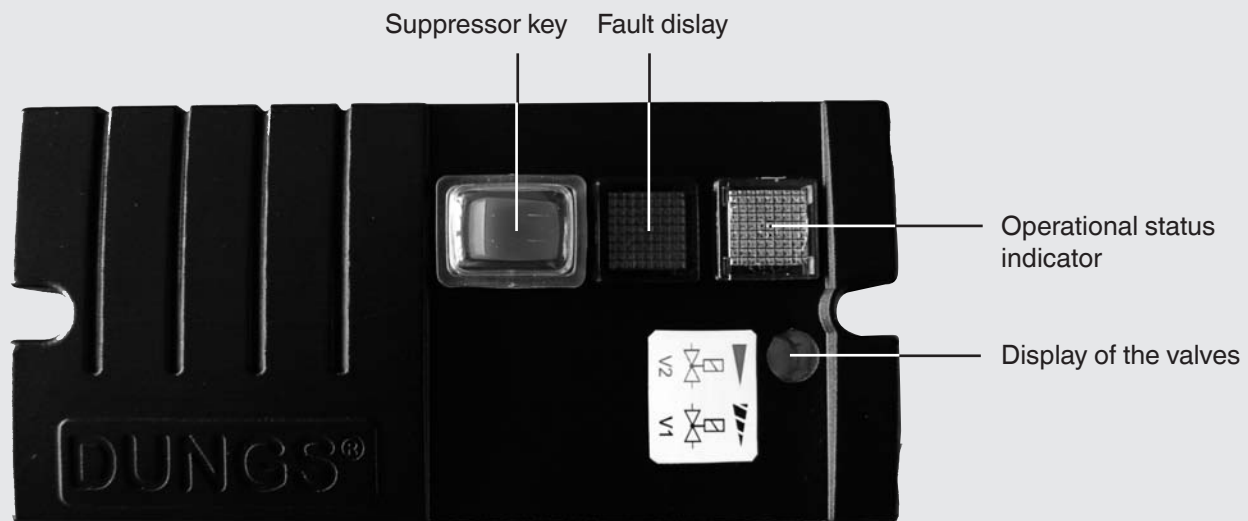


**DSLCL display of valves**

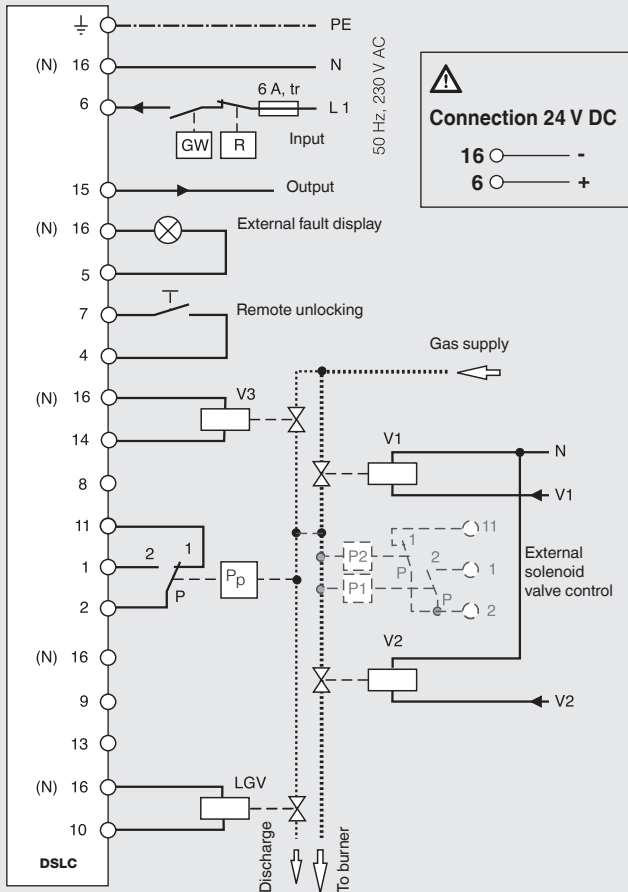


The qualitative differentiation between small, medium and large is used for fault analysis only. However, the valves must always be regarded as leaky!

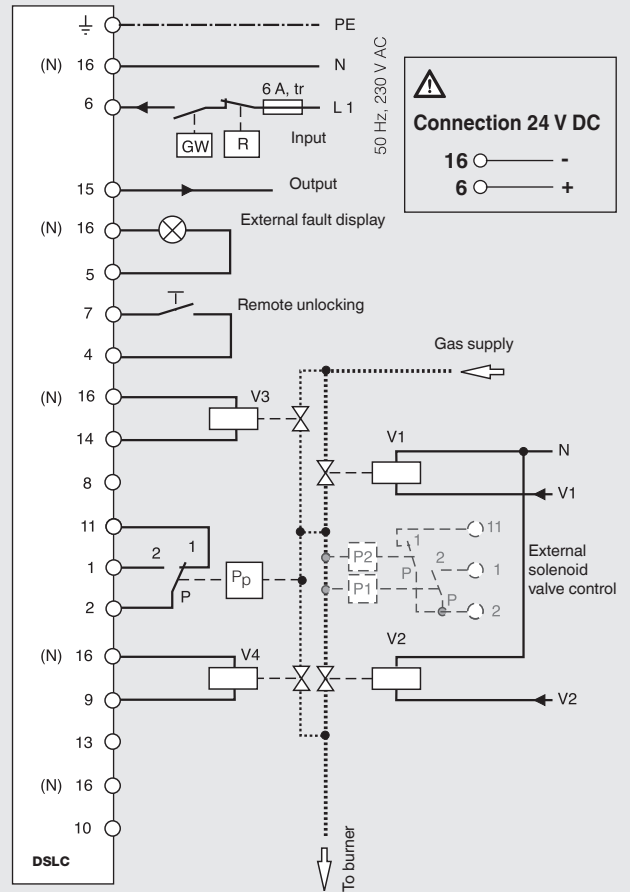
**Structure of the leakage control device DSLCL px Vx**



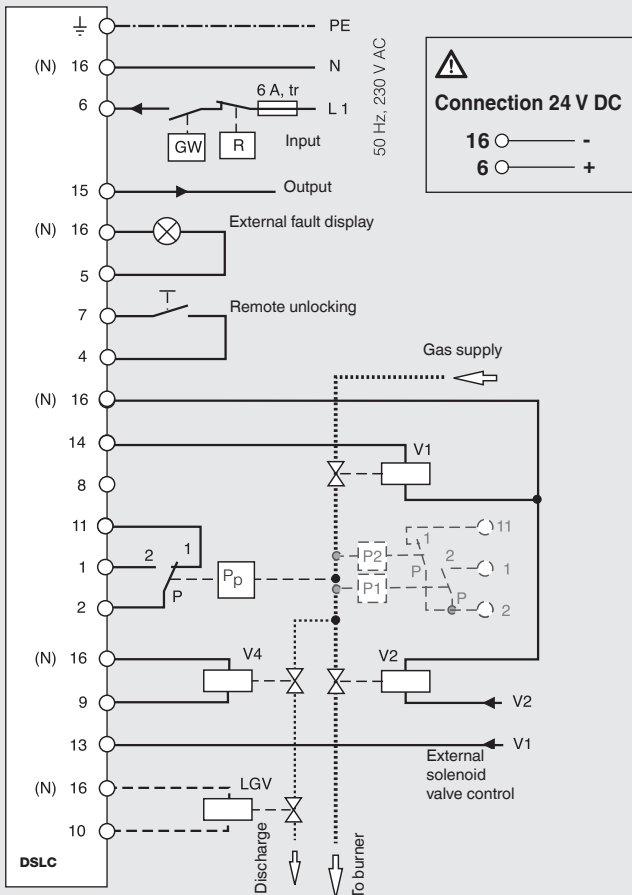
**DSLSC connection diagram for valve test with auxiliary valves V3, LGV (for schematic diagram 1)**



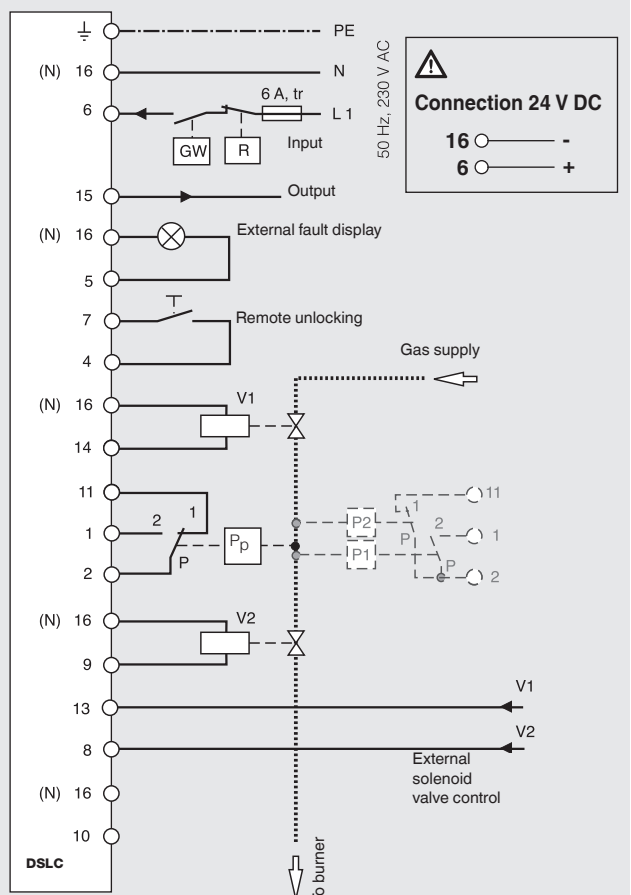
**DSLSC connection diagram for valve test with auxiliary valves V3, V4 (for schematic diagram 2)**



**DSLSC connection diagram for direct valve test V1 with auxiliary valve V4 or LGV (for schematic diagram 3)**



**DSLSC connection diagram for direct valve test V1, V2 (for schematic diagram 4)**



V1 Safety solenoid valve  
V2 Burner solenoid valve  
V3 Test gas solenoid valve

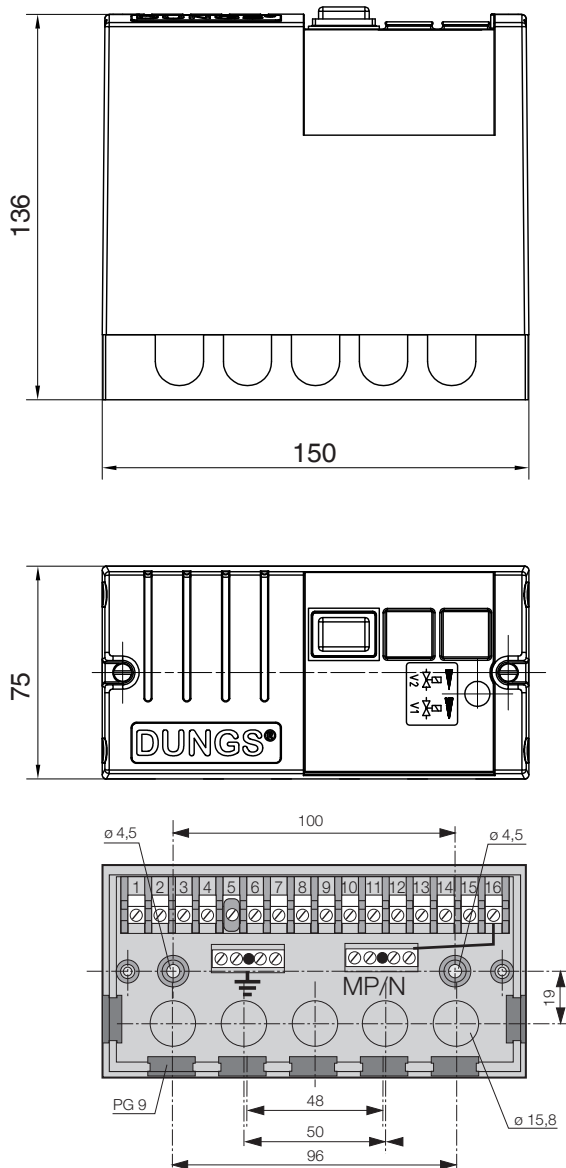
V4 Discharge solenoid valve  
LGV Leakage gas solenoid valve  
P<sub>p</sub> Test pressure switch

GW gas pressure switch  
(gas shortage).  
R Regulator

Control device for system leakage  
test  
DSLCL px Vx

**DUNGS**<sup>®</sup>  
Combustion Controls

**Dimensions**



**Type overview/ordering data**

DSLCL px Vx - (AC) 50 Hz, 230 V	Order no. 247 962
DSLCL px Vx - (AC) 50 Hz, 110 V	248 762
DSLCL px Vx - (DC) 24 V	247 963

**Accessories**

Gas pressure switch depending on the operating pressure,  
see datasheets

- LGW...A4 (5.08)
- GW...A6 (5.01)
- GW...A4 HP (5.04)

Auxiliary solenoid valves  
see datasheets

- MV 502 (6.21)
- MVD, MVD/5, MVDLE/5 (6.20)
- LGV/5 (6.24)
- SV-D(LE) (6.01)

Pressure switches (according to EN 1854) and auxiliary solenoid valves (according to EN 161) must be ordered separately.

We reserve the right to make any changes in the interest of technical progress.

**Head Offices and Factory**  
Karl Dungs GmbH & Co. KG  
Siemensstraße 6-10  
D-73660 Urbach, Germany  
Telephone +49 (0)7181-804-0  
Fax +49 (0)7181-804-166

**Postal address**  
Karl Dungs GmbH & Co. KG  
Postfach 12 29  
D-73602 Schorndorf, Germany  
e-mail info@dungs.com  
Internet www.dungs.com