



Technical Data

- 316L Stainless Steel Construction
- 2" NPT / 1/4" NPT Drain
- 1500 PSIG Maximum Pressure
- Internal Volume (with Tie Rod / No Element): 2400cc
- Viton O-Ring (Standard-Included)
- Total Weight: 38 lbs.
- Flow Rate @ 100 PSIG: 990 SCFM (Maximum Recommended Flow Rate for Optimal Efficiency)
 - Based on 51-476-70CS Standard Coalescing Grade Element, 95% Efficient at 0.01 Micron
 - Higher flow rates are supported with increased initial pressure drop

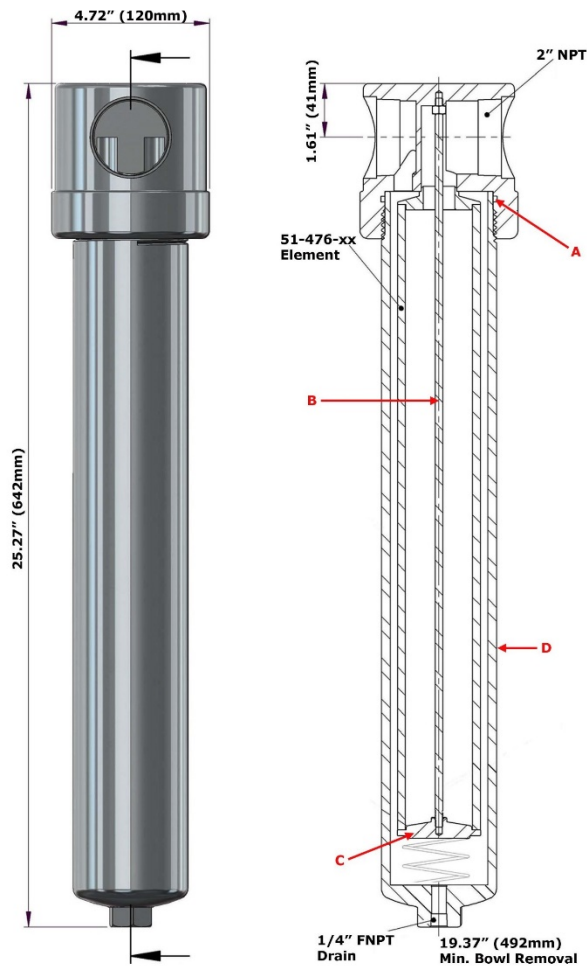
Elements Available:

51-476- xxx	Disposable Borosilicate Glass Microfiber Filter Element 51-476-70CS – Standard Recommended Coalescing Filter Element
SS-51-476- xxT	Stainless Steel Filter Element Comes Standard with Teflon Seals "T", Add "V" for optional Viton Seals when Ordering Micron Sizes: 005, 01, 03, 10, 25, 50, 100 and 200
51-476- xxxX1	Reinforced Borosilicate Glass Microfiber Filter Element With Exterior Stainless Steel Cage
51-476- xxxX3	Reinforced Borosilicate Glass Microfiber Filter Element With Interior & Exterior Stainless Steel Cages
51-476- xxPLMG	Pleated Micro Glass Filter Element Micron Sizes: 03, 10 and 25
51-476- xxPLSS	Pleated Stainless Steel Filter Element Micron Sizes: 05, 10, 25, 50, 100
51-476- xx-TS	Adsorption Cartridge Adsorbents: CC, 4A, 13X, SG, DR, MB, PP, HO, SB, and CS

Replace "**xxx**" with grade, micron, or adsorbent needed. See [Filter Element Guide](#) for more information.

Available O-Rings:

GV150	Viton (-15°F to 400°F) **Standard - Included**
BN150	Buna-N (-40°F to 250°F)
KZ150	Perfluoroelastomer (5°F to 600°F)
GS150	Silicone (-65°F to 400°F)
GE150	EPDM (-65°F to 300°F)



Replacement Parts:

GV150	Viton (-15°F to 400°F) (A) **Standard - Included**
TR160	Stainless Steel Tie Rod (B)
ER150SL	Stainless Steel Spring Loaded Element Retainer (C)
SSB160	Stainless Steel Bowl (D)

Accessories:

SC160	Stainless Steel Support Core
MBSS150	Stainless Steel Mounting Bracket (M10-1.5 x 15 Full Thread on 2.50" Center @ 90° to Port)

Part Number of Exotic Housing Materials:

Monel A400:	Model 162M (Drawing)
Hastelloy C-276:	Model 162HC (Drawing)
Inconel A625:	Model 162-INC (Drawing)