



F-08-05-001

# SERIES 08-05 Surface Sensing

## Bimetal Temperature Limiting Thermostats

### Temperature Range 110 to 210 °F

Fixed setting devices designed specifically for temperature limiting applications.

#### FEATURES



- C.S.A. File Report No. 2435048
- Certified to ANSI Z21.87a and CSA 4.6a
- Snap Action Switching
- Automatic Reset
- Weather-resistant Epoxy Seal
- Tamper-proof Preset Temperature
- Calibrated Settings from 110 to 210°F (Max)
- 100% Factory Temperature Tested
- RoHS Compliant
- Electrical Rating:
  - 1 Amp at 30VDC (Resistive)
  - 1 Amp 120 VAC (Resistive)

#### APPLICATIONS

Hydronic Applications such as:

- Boilers
- Pool Heaters
- Domestic Hot Water Systems
- Hi-Limit and Automatic Gas Shut-off

**Note:** Application below 120 °F is limited to Pool Heaters per ANSI Z21.56.

#### DESCRIPTION

The Series 08-05 is a stud-type surface sensing high limit thermostat utilizing a bimetal disc. As the temperature reaches the set point, the disc snaps to provide rapid, positive contact actuation, minimizing radio frequency interference and ensuring high reliability.

The sensing element is embedded in a brass housing and potted with epoxy for weather resistance.

The header can be configured to meet a range of application requirements, such as 3/4-14 NPT threads or an immersion sensing probe. Different terminations and mountings can be made available to adapt to various installation requirements.

#### SPECIFICATIONS

**Switch Action:** SPST (normally open or normally closed)

**Dielectric Strength:** 1500 VAC terminals to case

**Insulation Resistance:** 100 Megohms minimum at 500VDC



T-1 Series



T-2 Series



T-3 Series



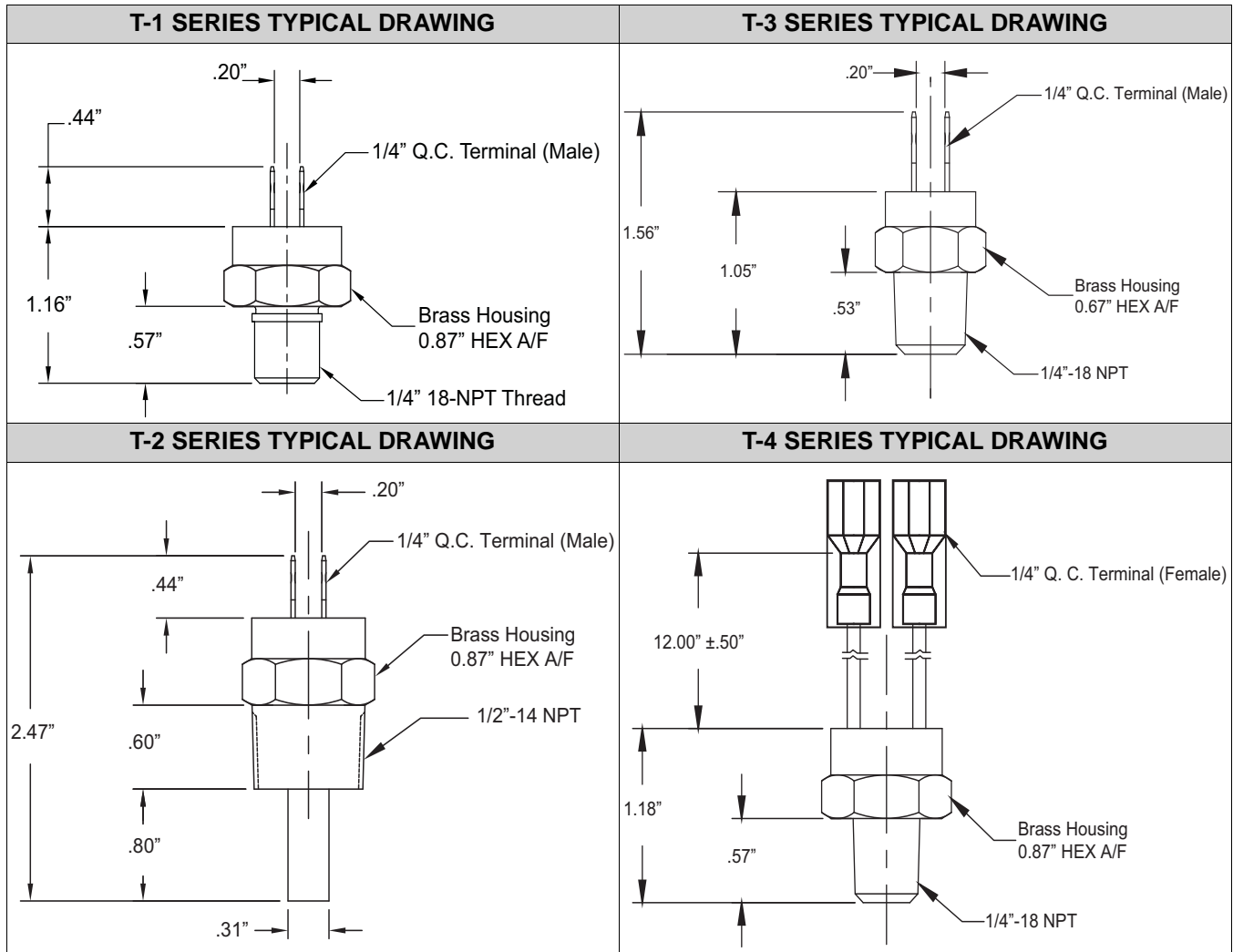
T-4 Series

## SETTINGS AND TOLERANCES

| Series | Temperature Range             | Tolerances    |              | Minimum Differential |
|--------|-------------------------------|---------------|--------------|----------------------|
|        |                               | Open          | Close        |                      |
| 08-05  | 110°F to 202°F (43°C to 95°C) | ±8°F (±4.5°C) | ±10°F (±6°C) | 20°F (17°C)          |

**Note:** The Fenwal 08-05 is 100% tested at the factory for temperature setting and conformance to specifications. The actual installed performance in the field may vary due to the nature of the installation. The customer is responsible for determining fitness for use in their specific equipment.

## TYPICAL DRAWING



## TEST SAMPLES

Operating samples can be supplied for application tests. A completed Fenwal Snap Disc Application Data Form is required to select and produce a sample pre-set to a specified requirement. Application Data Forms are available at [www.fenwalcontrols.com](http://www.fenwalcontrols.com) or your local Fenwal sales representative.

This literature is provided for informational purposes only. KIDDE-FENWAL, INC. assumes no responsibility for the product's suitability for a particular application. The product must be properly applied to work correctly. If you need more information on this product, or have a particular problem or question, contact KIDDE-FENWAL, INC.

