


Eclipse ImmersoPak

Burners

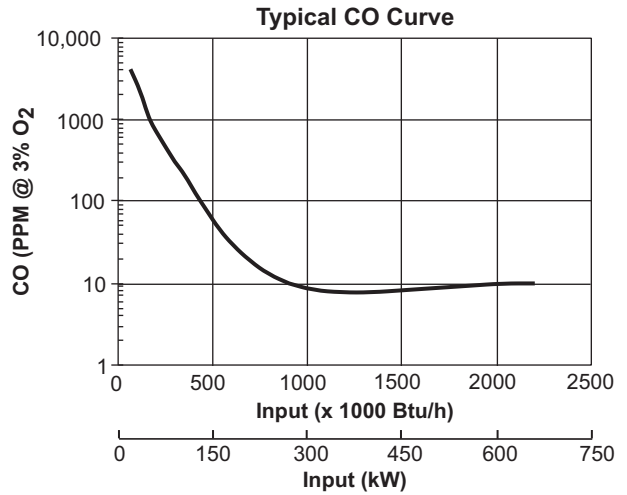
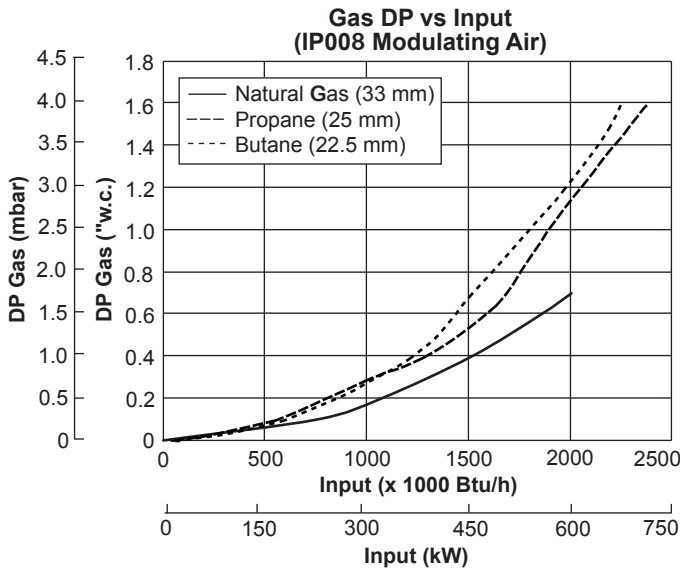
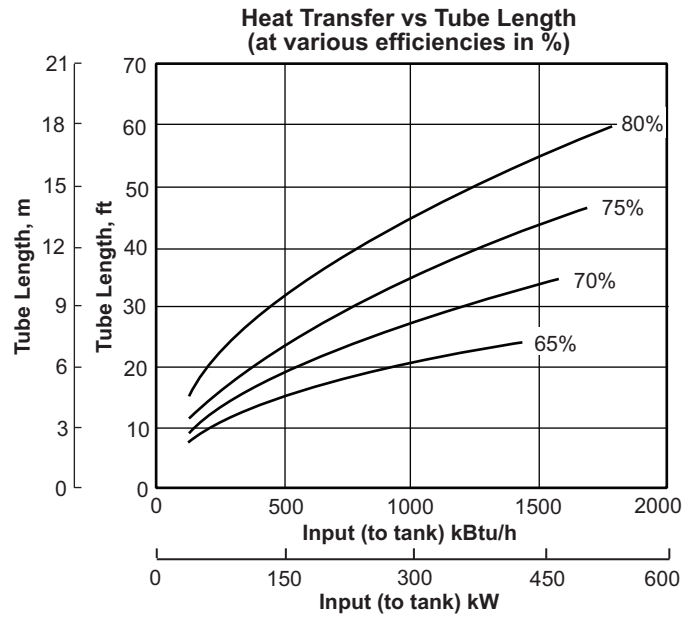
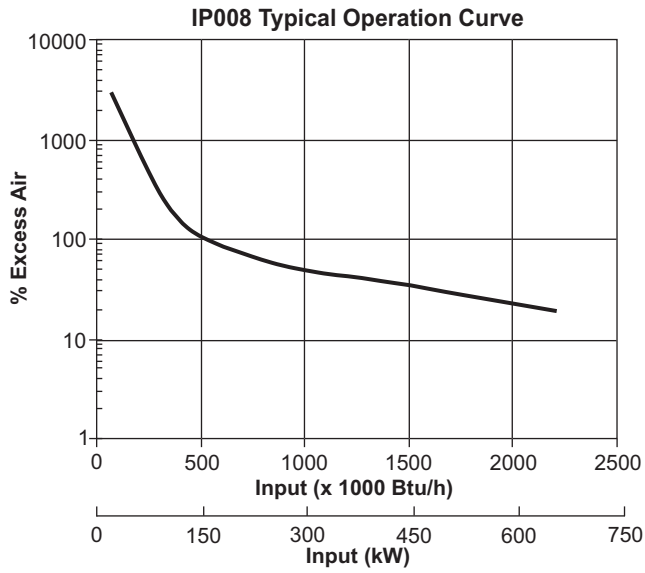
Model IP008

Version 2

Parameter	Modulating Air		
	Natural Gas	Propane	Butane
High Fire @ 3% O ₂ , kBtu/h (kW)	2050 (600)	2350 (688)	2250 (659)
Low Fire, kBtu/h (kW)	40 (12)	60 (17.5)	60 (17.5)
High Fire CO @ 3% O ₂ , (ppm)	< 15	< 60	< 60
Orifice Size, (mm)	33	25	22.5
Air Pressure @ Maximum Input, "w.c. (mbar) <i>Air Pressure at burner inlet (Tap A)</i>	3 (7.5)		
Main Gas Pressure, "w.c. (mbar)	Maximum	138.5 (345)	
	Minimum	15 (37)	
	Recommended	18 (45)	
Weight less actuator, lbs (kg)	160 (72.5)		
Blower Type	10" Packaged		
Gas Piping	NPT or BSP		
Flame Detection	UV Scanner		
Approvals	 AI30		

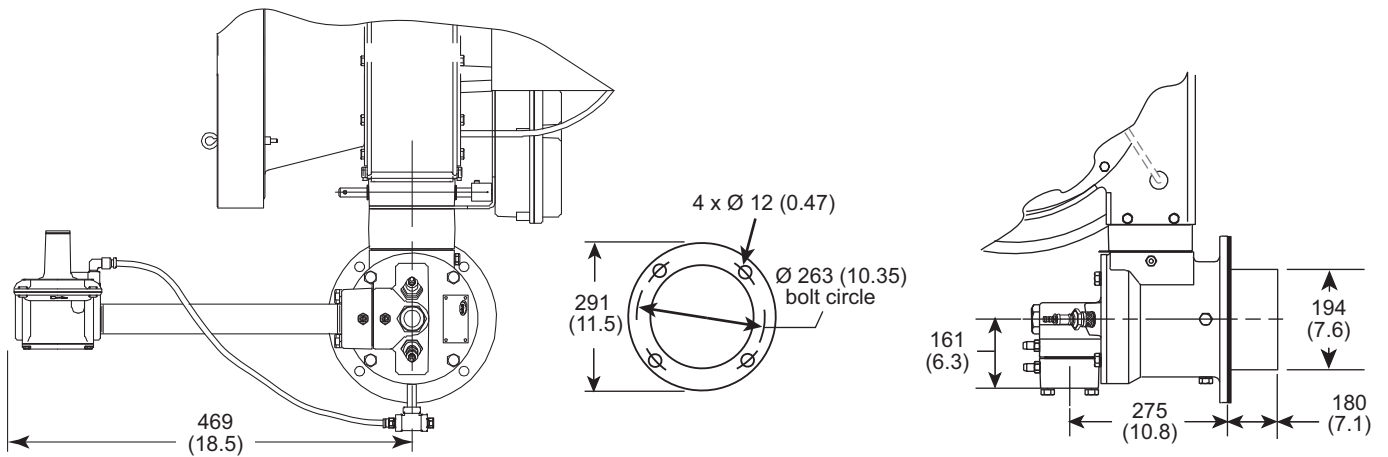
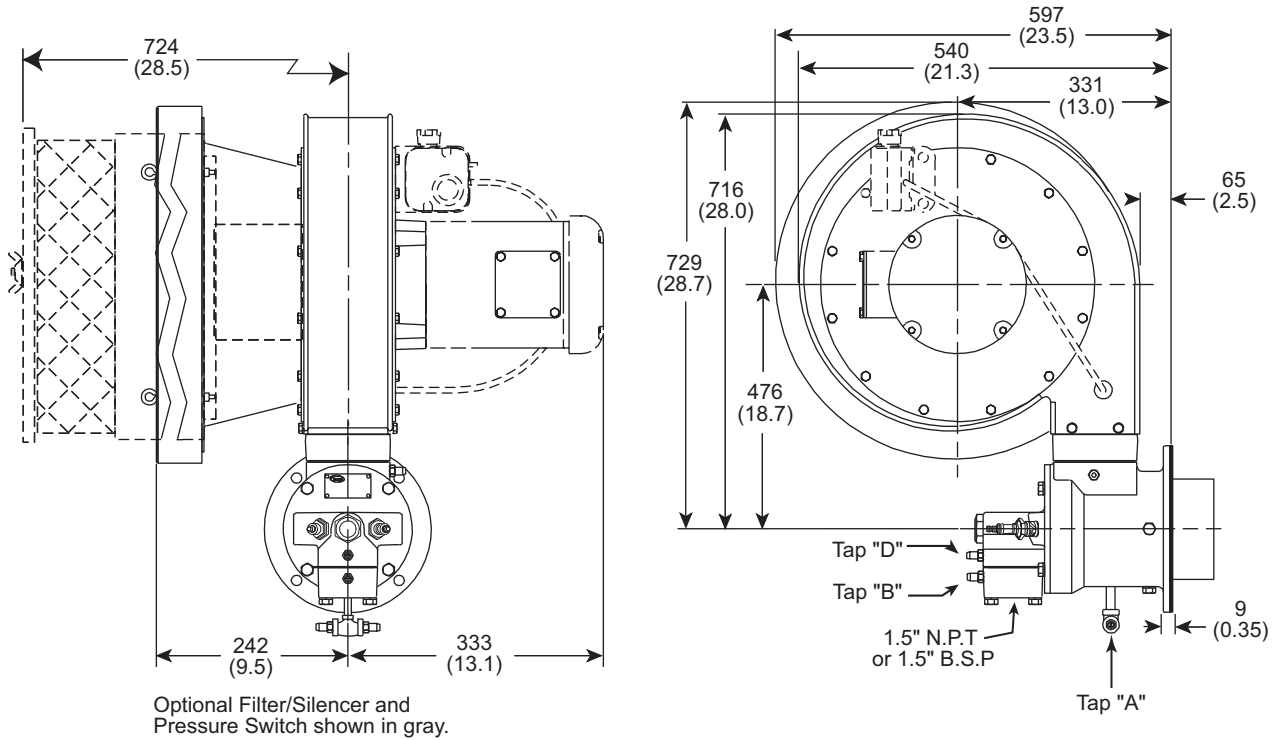
- All information is based on laboratory testing with a tube effective length of 32 feet. Different tube sizes and conditions (including back pressure) may affect the data.
- All information is based on standard tube design. Changes in the tube will alter performance and pressures.
- All inputs based upon gross calorific values.
- Plumbing of air and gas will affect accuracy of orifice readings. All information is based on generally acceptable air and gas piping practices.
- For 65% to 80% efficiency at high fire, tube length should be 25 to 60 feet long.
- Eclipse reserves the right to change the construction and/or configuration of our products at any time without being obliged to adjust earlier supplies accordingly.

Performance Graphs



Dimensions and Specifications

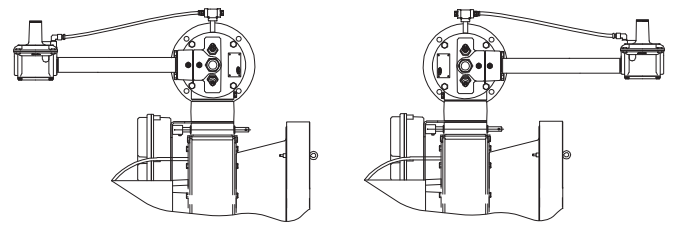
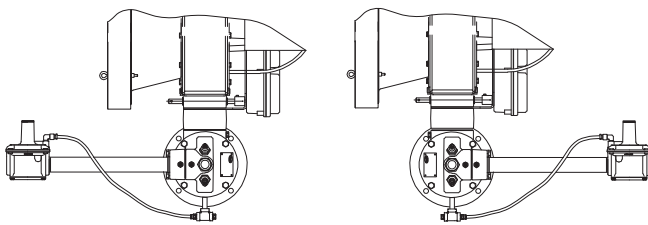
Dimensions in mm (inches)



Burner Configuration

Upright

Inverted



Left Hand Piping

Right Hand Piping

Left Hand Piping

Right Hand Piping

