


Eclipse ImmersoPak

Burners

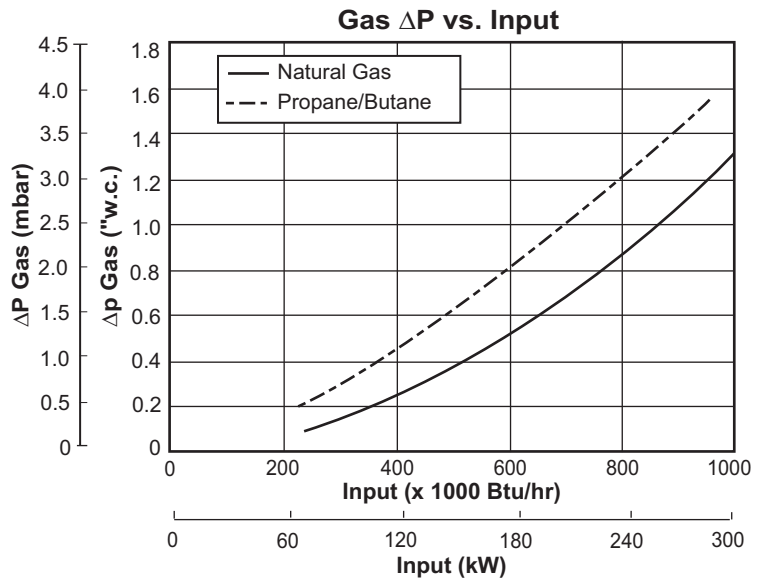
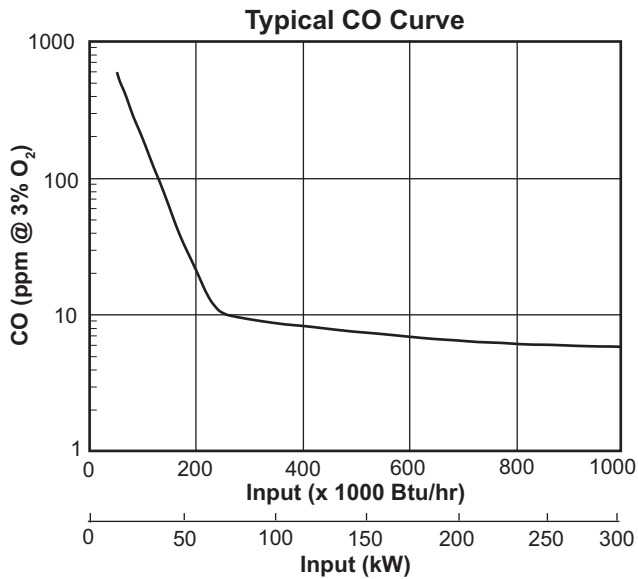
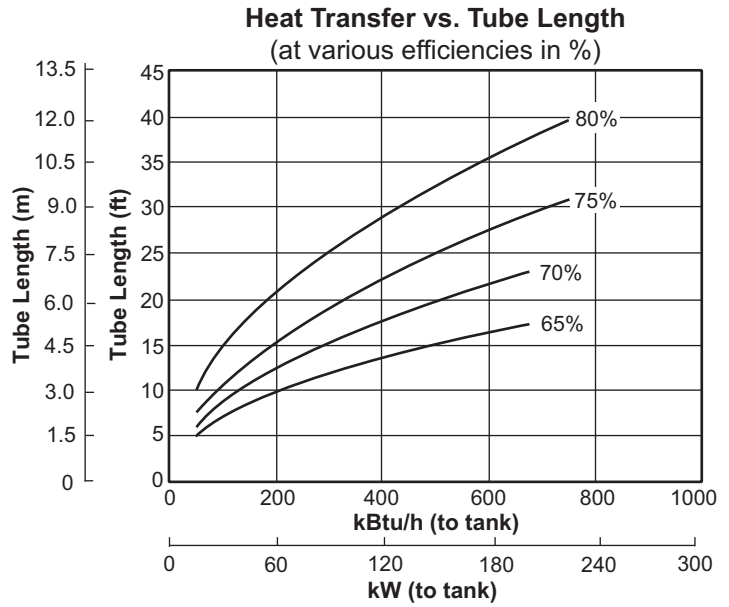
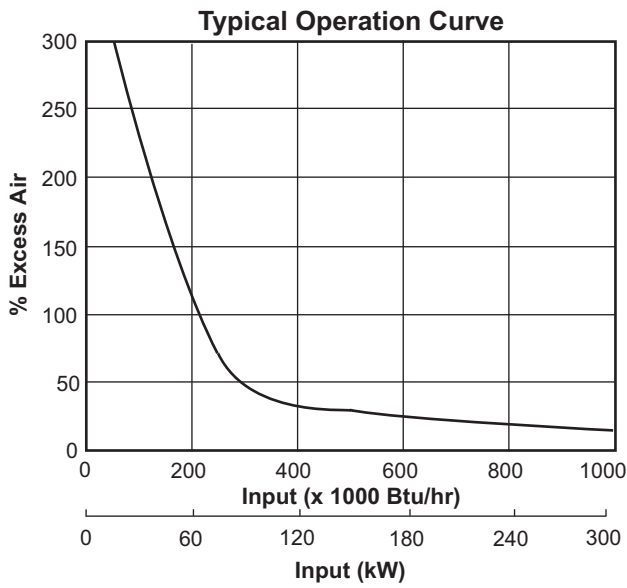
Series IP006

Version 2

Parameter	Modulating Air		
	Natural Gas	Propane	Butane
High Fire kBtu/h (kW) @ 3% O ₂	875 (256)	875 (256)	875 (256)
Low Fire kBtu/h (kW)	40 (12)	40 (12)	40 (12)
High Fire CO (ppm) @ 3% O ₂	< 10	< 10	< 10
Orifice Size (mm)	20.5	16.0	15.0
Air Pressure "w.c. (mbar) @ Maximum Input Air pressure at burner inlet (Tap "A")	3 (7.5)		
Main Gas Pressure "w.c. (mbar)	Maximum	27.7 (69.0)	
	Minimum	15 (37.4)	
	Recommended	17 (42.3)	
Tube Back Pressure "w.c. (mbar)	0.2 (0.5)		
Weight - less actuator lbs (kg)	99 (45)		
Blower Type	6" Packaged		
Gas Piping	1" NPT or BSP		
Flame Detection	Flamerod or UV Scanner		
Approvals			

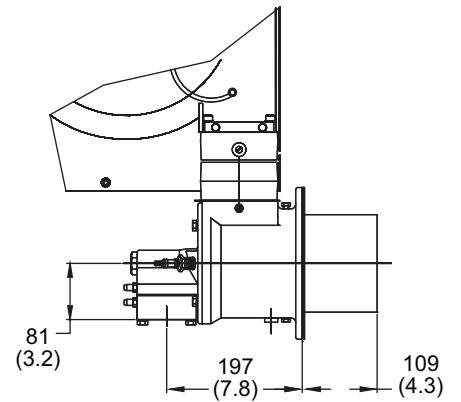
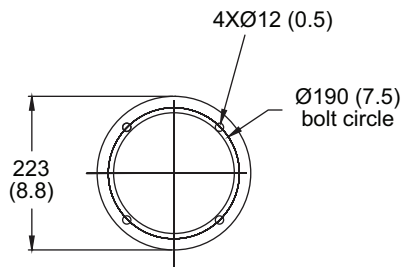
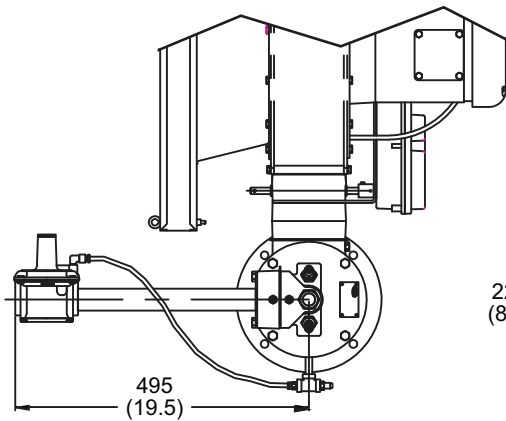
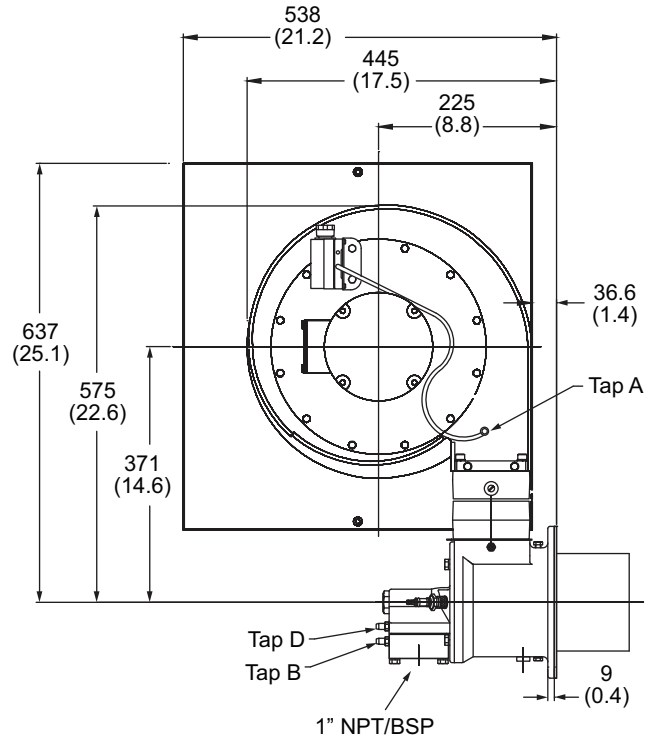
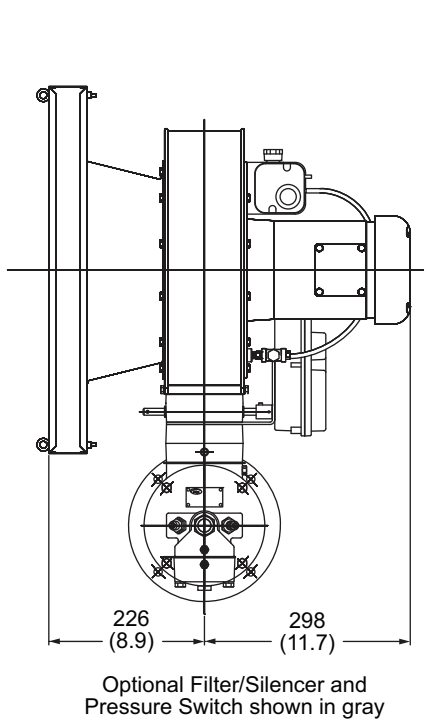
- All information is based on laboratory testing with a tube effective length of 32 feet. Different tube sizes and conditions (including back pressure) may affect the data.
- All information is based on standard tube design. Changes in the tube will alter performance and pressures.
- All inputs based upon gross calorific values.
- Plumbing of air and gas will affect accuracy of orifice readings. All information is based on generally acceptable air and gas piping practices.
- For 65% to 80% efficiency at high fire, tube length should be 16 to 42 feet long.
- Eclipse reserves the right to change the construction and/or configuration of our products at any time without being obliged to adjust earlier supplies accordingly.

Performance Curves



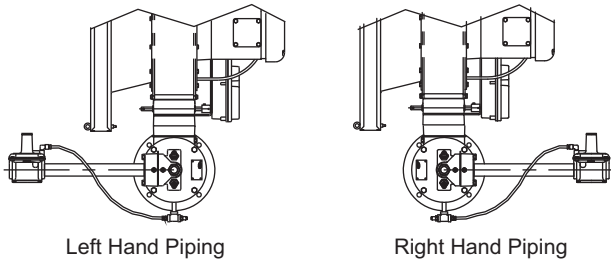
Dimensions & Specifications

Dimensions in mm (inches)



Orientation

Upright



Inverted

