


Eclipse ImmersoPak

Burners

Series IP005

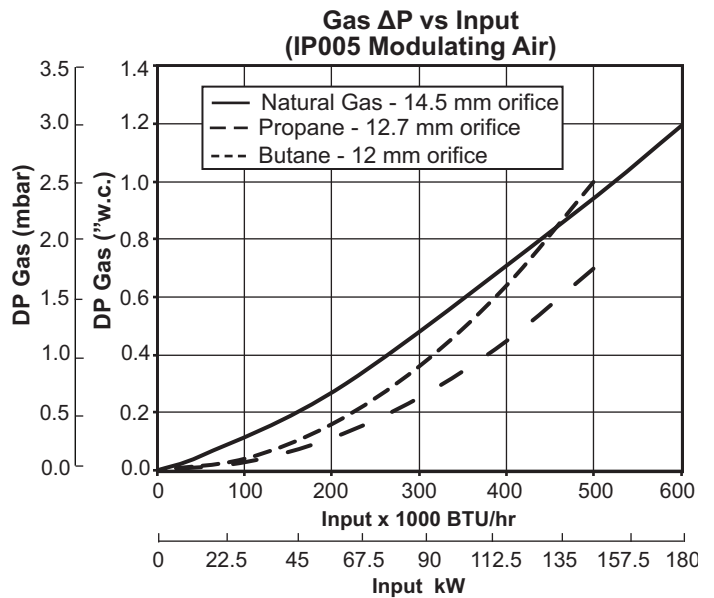
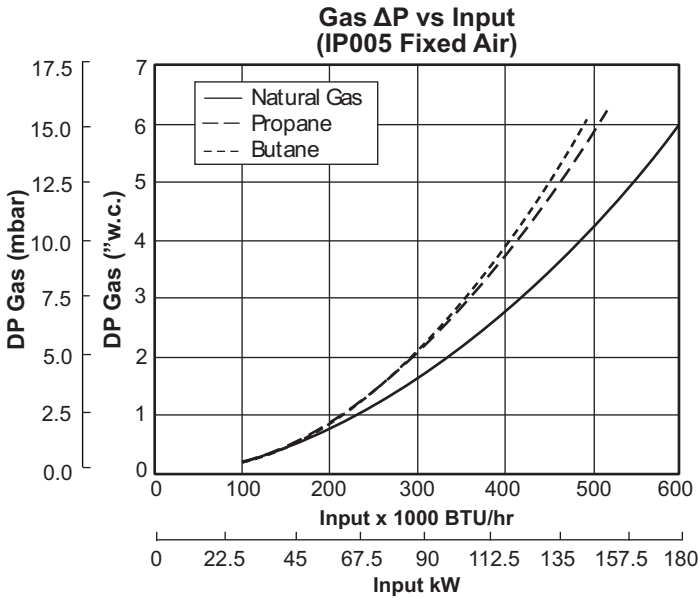
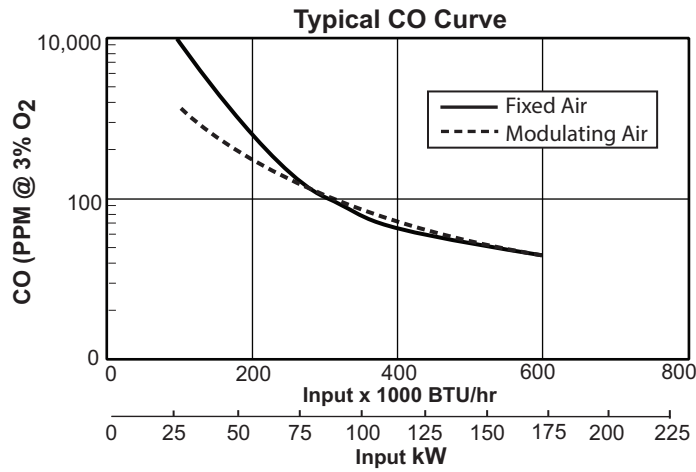
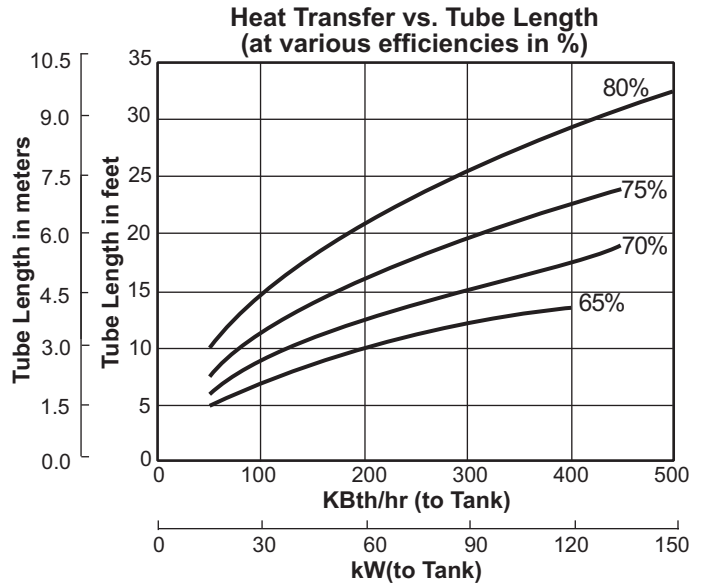
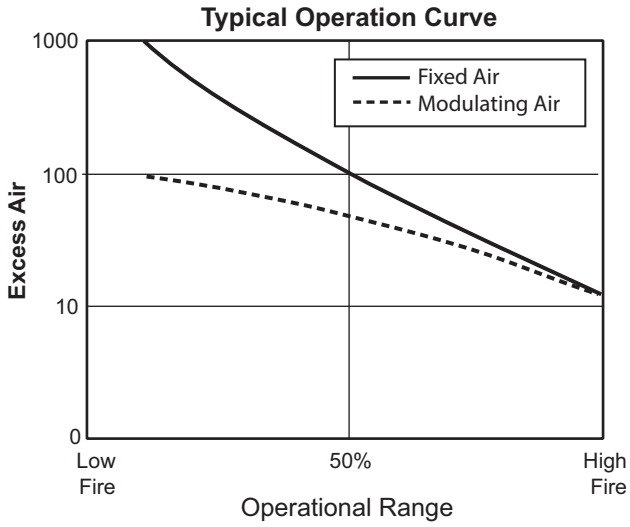
Version 2

| Parameter | Fixed Air (Control Options 1, 3, 4) | | | Modulating Air (Control Option 2) | | |
|---|---|-------------|-----------|--------------------------------------|-----------|-----------|
| | Natural Gas | Propane | Butane | Natural Gas | Propane | Butane |
| High Fire kBtu/hr (kW) @ 3% O ₂ | 620 (182) | 515 (151) | 500 (146) | 595 (174) | 500 (146) | 505 (148) |
| Low Fire kBtu/hr (kW) | 80 (23) | 160 (47) | 170 (50) | 20 (6) | 20 (6) | 35 (10) |
| High Fire CO (ppm) @ 3% O ₂ | < 20 | < 15 | < 10 | < 20 | < 15 | < 100 |
| Orifice Size (mm) | 11.5 | 9.0 | 8.5 | 14.5 | 12.7 | 12.0 |
| Air Pressure "w.c. (mbar) @ Maximum Input Air pressure at burner inlet (Tap "A") | 7 (17.4) | | | 3 (7.5) | | |
| Main Gas Pressure "w.c. (mbar) | Maximum | 27.7 (69.0) | | 27.7 (69.0) | | |
| | Minimum | 14 (34.9) | | 14 (34.9) | | |
| | Recommended | 15 (37.4) | | 10 (24.9) | | |
| Tube Back Pressure "w.c. (mbar) | 0.2 (0.5) | | | 0.2 (0.5) | | |
| Weight - less actuator lbs (kg) | 78 (35) | | | | | |
| Blower Type | 6" Packaged | | | | | |
| Gas Piping | NPT or BSP* | | | | | |
| Flame Detection | Flamerod or UV Scanner | | | | | |
| Approvals |  | | | | | |

* BSP is interface connection only.

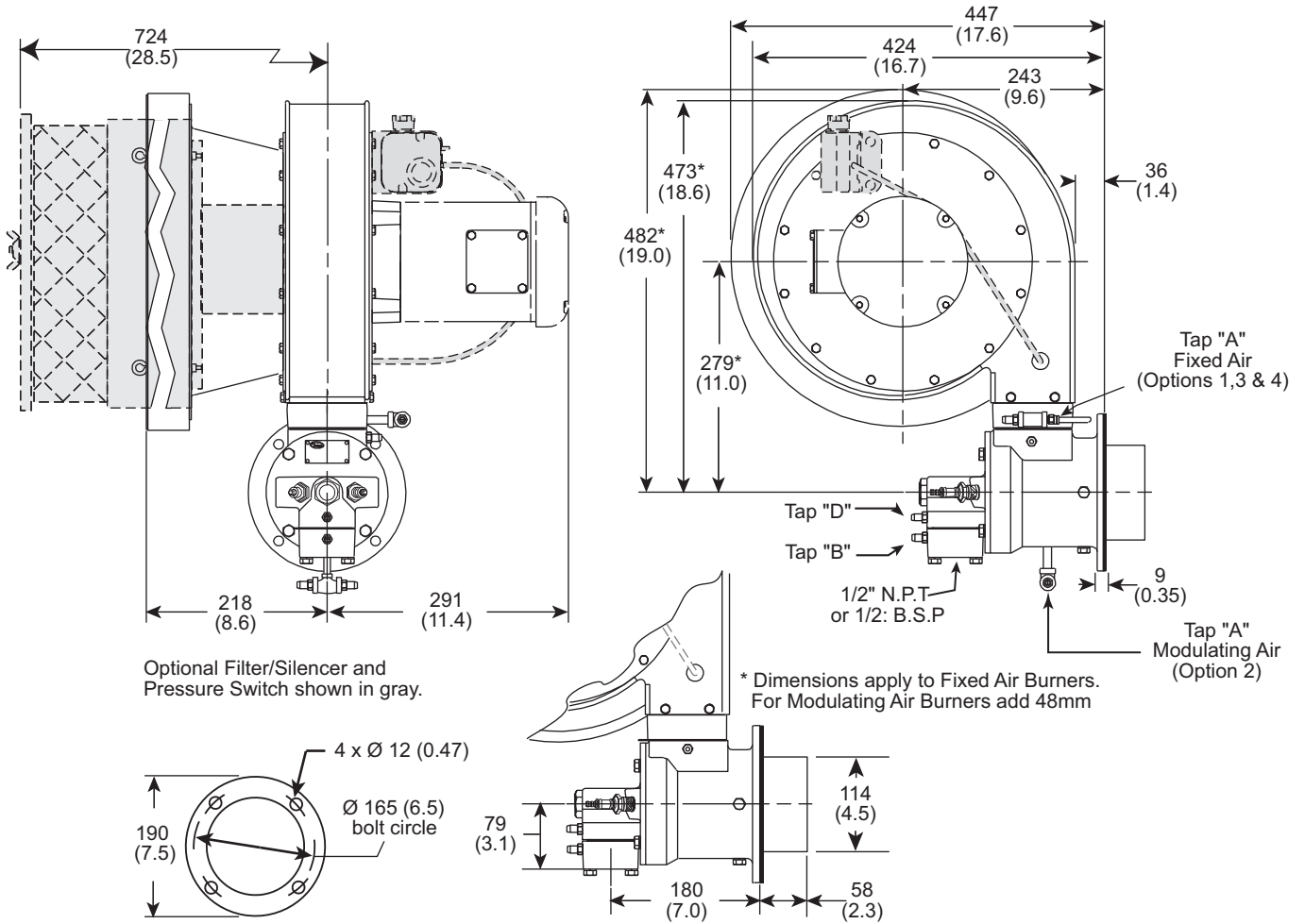
- All information is based on laboratory testing with a tube effective length of 32 feet. Different tube sizes and conditions (including back pressure) may affect the data.
- All information is based on standard tube design. Changes in the tube will alter performance and pressures.
- All inputs based upon gross calorific values.
- Plumbing of air and gas will affect accuracy of orifice readings. All information is based on generally acceptable air and gas piping practices.
- For 65% to 80% efficiency at high fire, tube length should be 12 to 33 feet long.
- Eclipse reserves the right to change the construction and/or configuration of our products at any time without being obliged to adjust earlier supplies accordingly.

Performance Curves

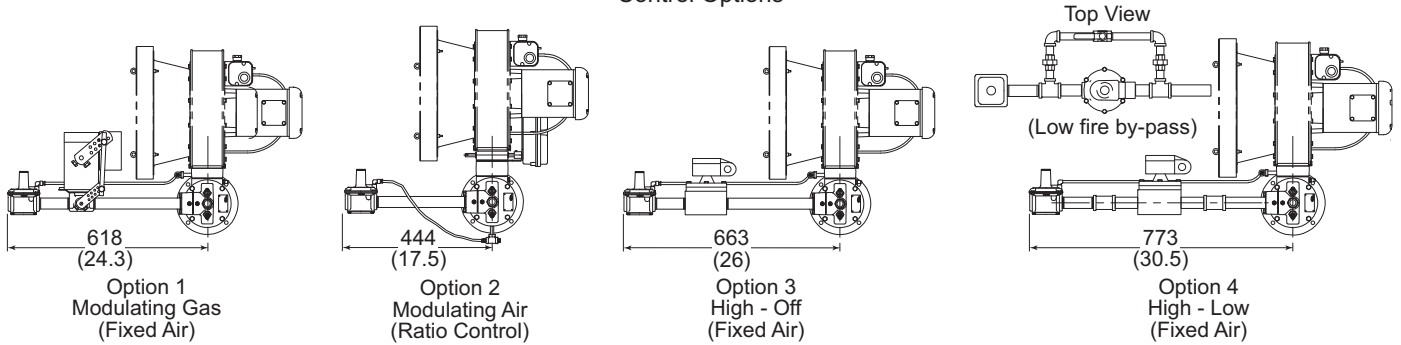


Dimensions & Specifications

Dimensions in mm (inches)



Control Options



Orientation

