


ImmersoJet

Burners

Model IJ-6

Version 2

Parameter	Blower Size		
Blower Type	Low Pressure Packaged Blower	High Pressure Packaged Blower	Remote Blower
Maximum Input Btu/h (kW)	2,000,000 (586.1)	2,500,000 (732.7)	3,600,000 (1055.1)
Minimum Input Btu/h (kW)	300,000 (87.9)	300,000 (87.9)	300,000 (87.9)
Air Inlet Pressure "w.c. (mbar) @ Max Input Air pressure at burner inlet (Tap "A")	9.0 (22.4)	14.4 (35.8)	30.0 (74.7)
Blower Motor Hp (kW)	1.5 (1.1)	3.0 (2.2)	As Specified
Main Gas Pressure Supplied to Regulator "w.c. (mbar)	16 - 125 (39.9 - 311.4)	21 - 125 (52.3 - 311.4)	41 - 125 (102.1 - 311.4)
Backpressure "w.c. (mbar)	2.6 (6.5)	4.0 (9.9)	8.3 (20.6)
Weight lbs (kg)	275 (125)	290 (131)	185 (84)
CO Emissions (ppm)	<100	<100	<100
Piping	NPT or BSP		
Flame Detection	Flamerod or UV Scanner		
Fuel <i>For any other mixed gas, contact Eclipse.</i>	Natural Gas, Propane, Butane ^{1, 2}		
Approvals			

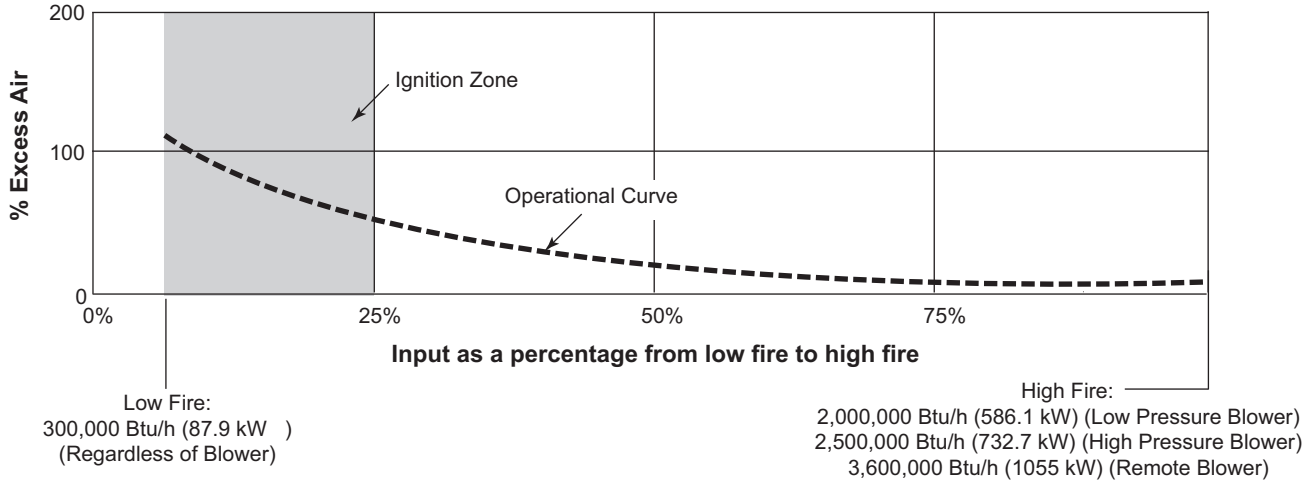
¹ Different fuels require different nozzles and orifices.

² See Design Guide 110 for more information about typical fuel composition and properties.

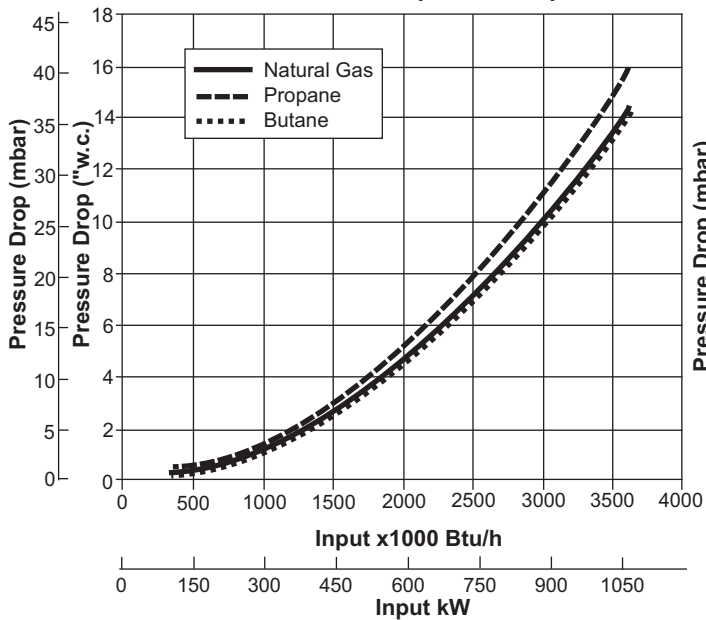
- All information is based on laboratory testing with a tube effective length of 21.6 feet (6.58 m). Different tube sizes and conditions may affect the data.
- All information is based on standard tube design. Changes in the tube will alter performance and pressures.
- All inputs based upon gross calorific values (HHV).
- Eclipse reserves the right to change the construction and/or configuration of our products at any time without being obliged to adjust earlier supplies accordingly.
- Plumbing of air and gas will affect accuracy of orifice readings. All information is based on generally acceptable air and gas piping practices.
- Packaged blower performance data based on 60 Hz..

Performance Graphs

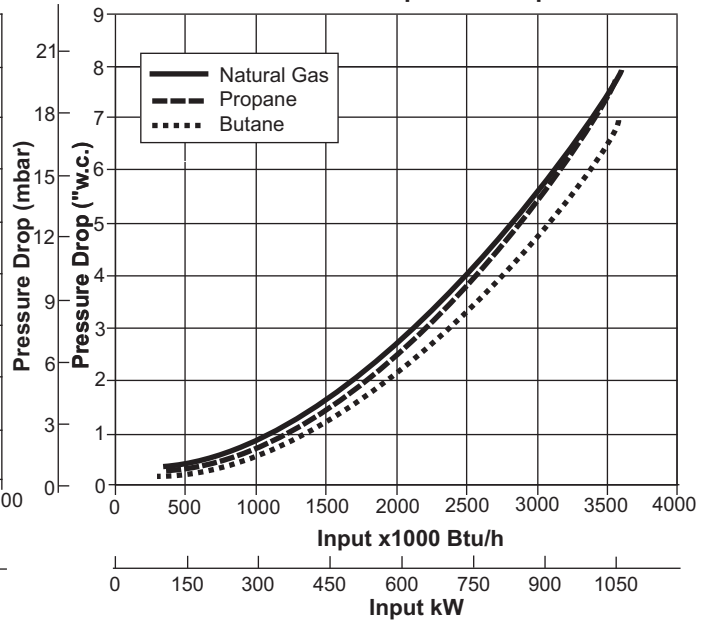
Typical Operational Curve & Ignition Zone (Natural Gas, Propane, & Butane)



**Gas Orifice Δp vs. Input
Measured from Tap "B" to Tap "D"**

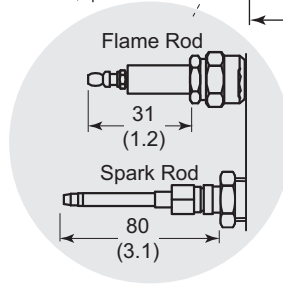
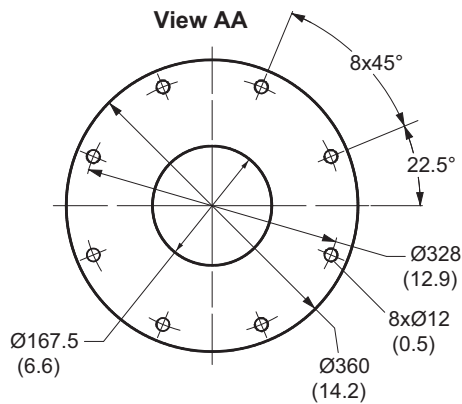
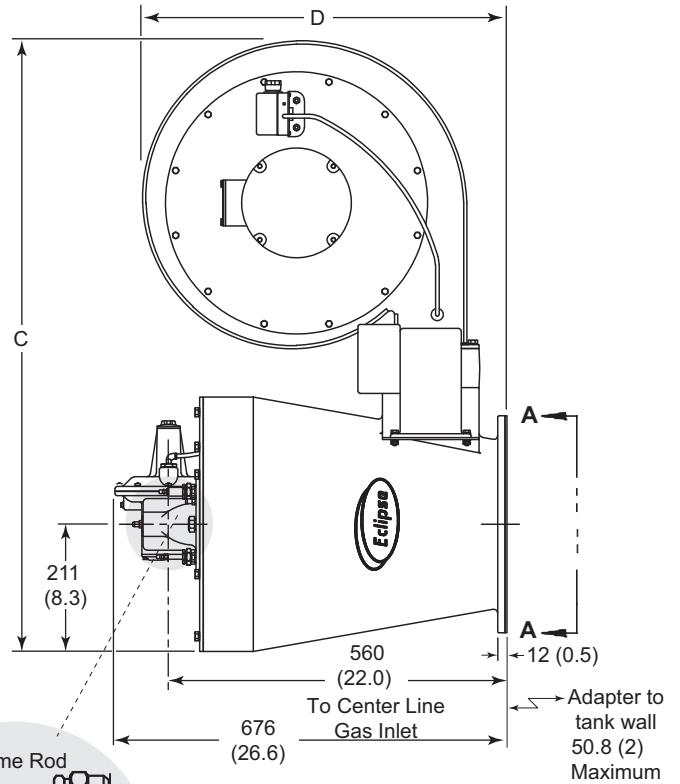
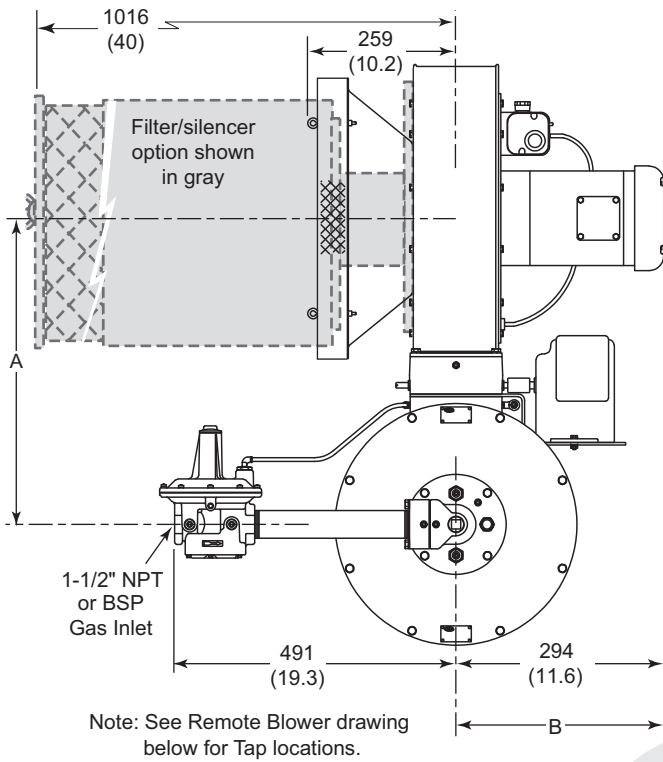


**Air Orifice Δp vs. Input @ 3% O₂
Measured from Tap "A" to Tap "C"**

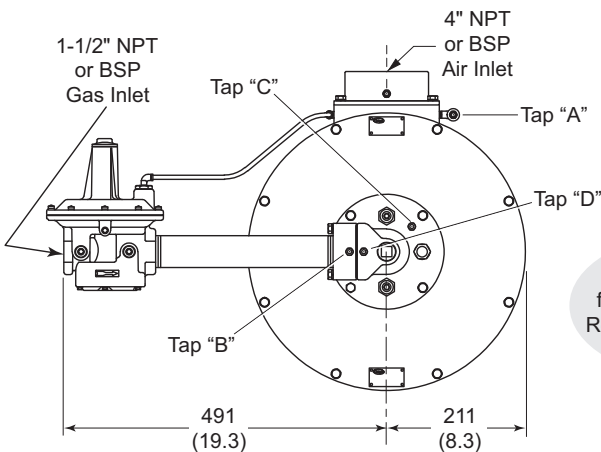


Dimensions & Specifications

Dimensions in mm (inches)



	A	B		C	D
		60 Hz	50 Hz		
Low Pressure Blower	508 (20.0)	330 (12.99)	306 (12.0)	958 (37.7)	545 (21.5)
High Pressure Blower	533 (20.98)	362 (14.3)	320 (12.6)	1013 (39.9)	604 (23.8)



Remote Blower

