


# ImmersoJet

## Burners

Model IJ-4

Version 2

Parameter	Blower Size		
<b>Blower Type</b>	Low Pressure Packaged Blower	High Pressure Packaged Blower	Remote Blower
<b>Maximum Input Btu/h (kW)</b>	830,000 (243.3)	1,000,000 (293.1)	1,800,000 (527.5)
<b>Minimum Input Btu/h (kW)</b>	100,000 (29.3)	100,000 (29.3)	100,000 (29.3)
<b>Air Inlet Pressure "w.c. (mbar) @ Max Input</b> Air pressure at burner inlet (Tap "A")	7.8 (19.4)	10.5 (26.2)	33 (82.2)
<b>Blower Motor Hp (kW)</b>	0.5 (0.37)	1.0 (0.75)	As Specified
<b>Main Gas Pressure Supplied to Regulator</b> "w.c. (mbar)	10 - 125 (24.9 - 311.4)	13 - 125 (32.4 - 311.4)	34 - 125 (84.7 - 311.4)
<b>Backpressure "w.c. (mbar)</b>	2.0 (4.9)	3.8 (9.5)	12.2 (30.4)
<b>Weight lbs (kg)</b>	115 (52)	120 (54)	75 (34)
<b>CO Emissions (ppm)</b>	<100	<100	<100
<b>Piping</b>	NPT or BSP		
<b>Flame Detection</b>	Flamerod or UV Scanner		
<b>Fuel</b> <i>For any other mixed gas, contact Eclipse.</i>	Natural Gas, Propane, Butane <sup>1, 2</sup>		
<b>Approvals</b>			

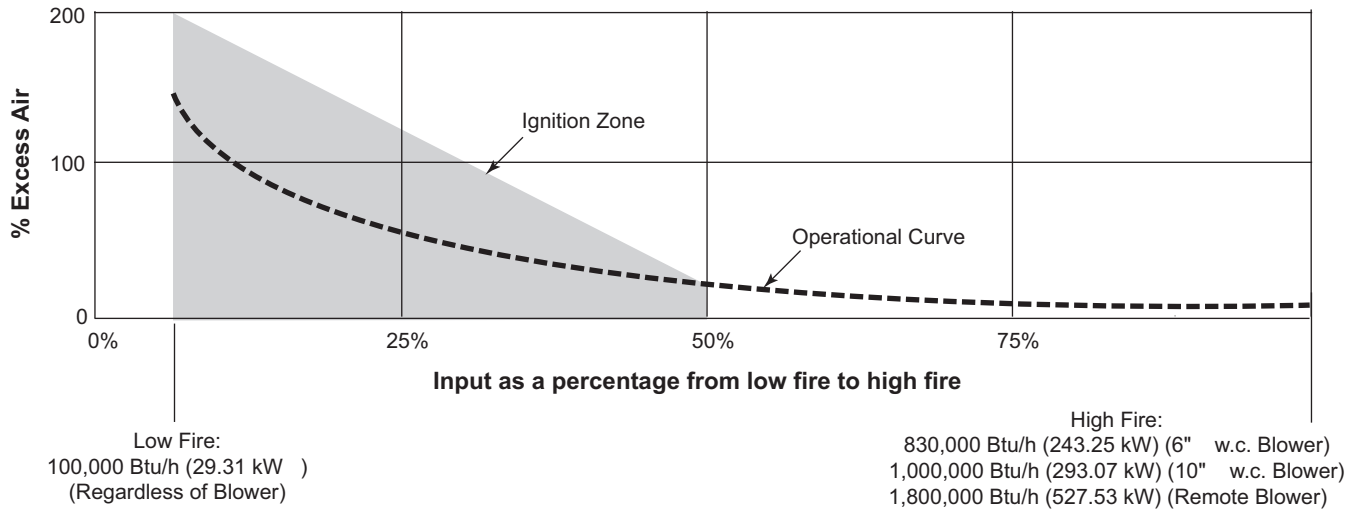
<sup>1</sup> Different fuels require different nozzles and orifices.

<sup>2</sup> See Design Guide 110 for more information about typical fuel composition and properties.

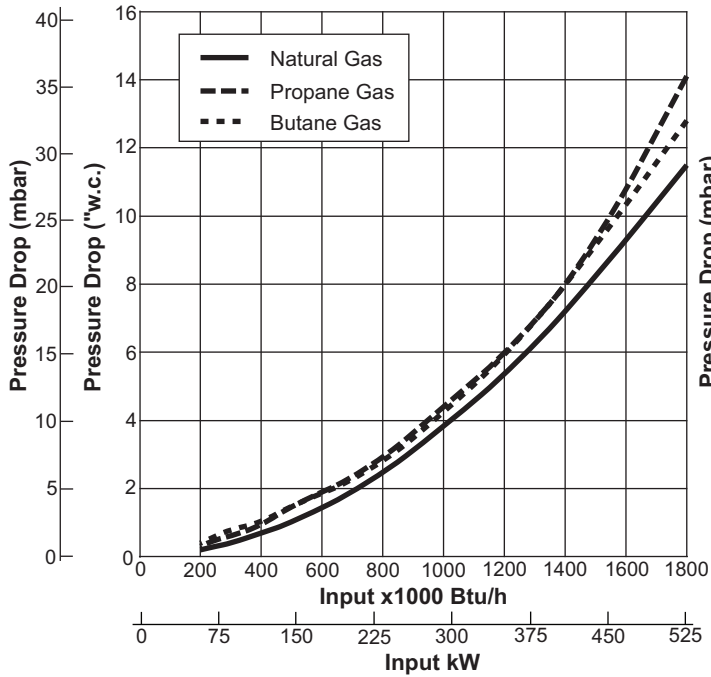
- All information is based on laboratory testing with a tube effective length of 21.6 feet (6.58 m). Different tube sizes and conditions may affect the data.
- All information is based on standard tube design. Changes in the tube will alter performance and pressures.
- All inputs based upon gross calorific values (HHV).
- Eclipse reserves the right to change the construction and/or configuration of our products at any time without being obliged to adjust earlier supplies accordingly.
- Plumbing of air and gas will affect accuracy of orifice readings. All information is based on generally acceptable air and gas piping practices.
- Packaged blower performance data based on 60 Hz..

# Performance Graphs

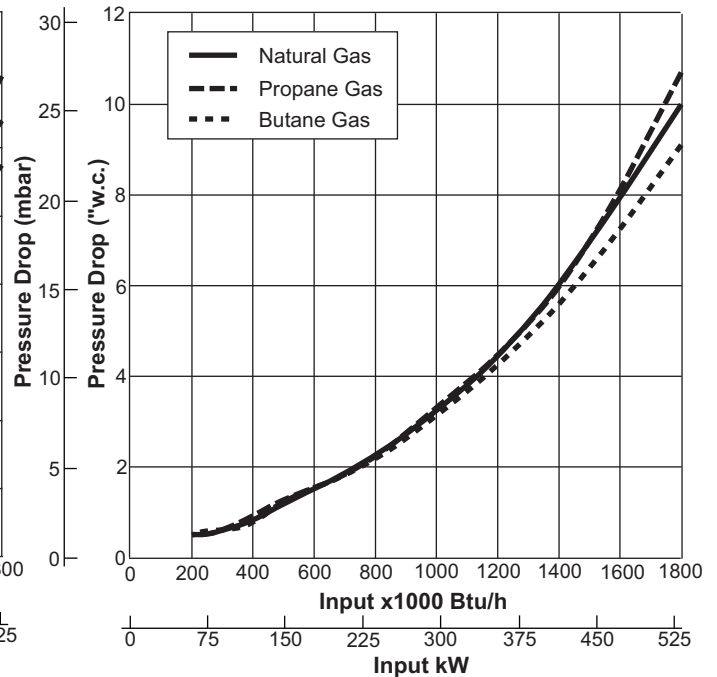
## Typical Operational Curve & Ignition Zone (Natural Gas, Propane, & Butane)



**Gas Orifice  $\Delta p$  vs. Input**  
Measured from Tap "B" to Tap "D"

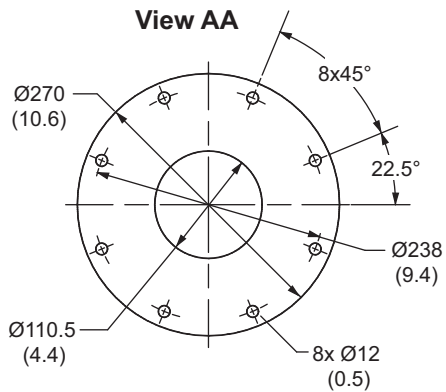
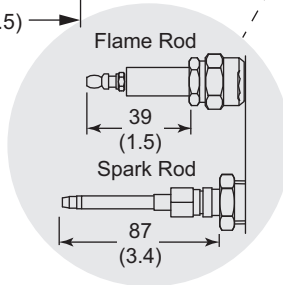
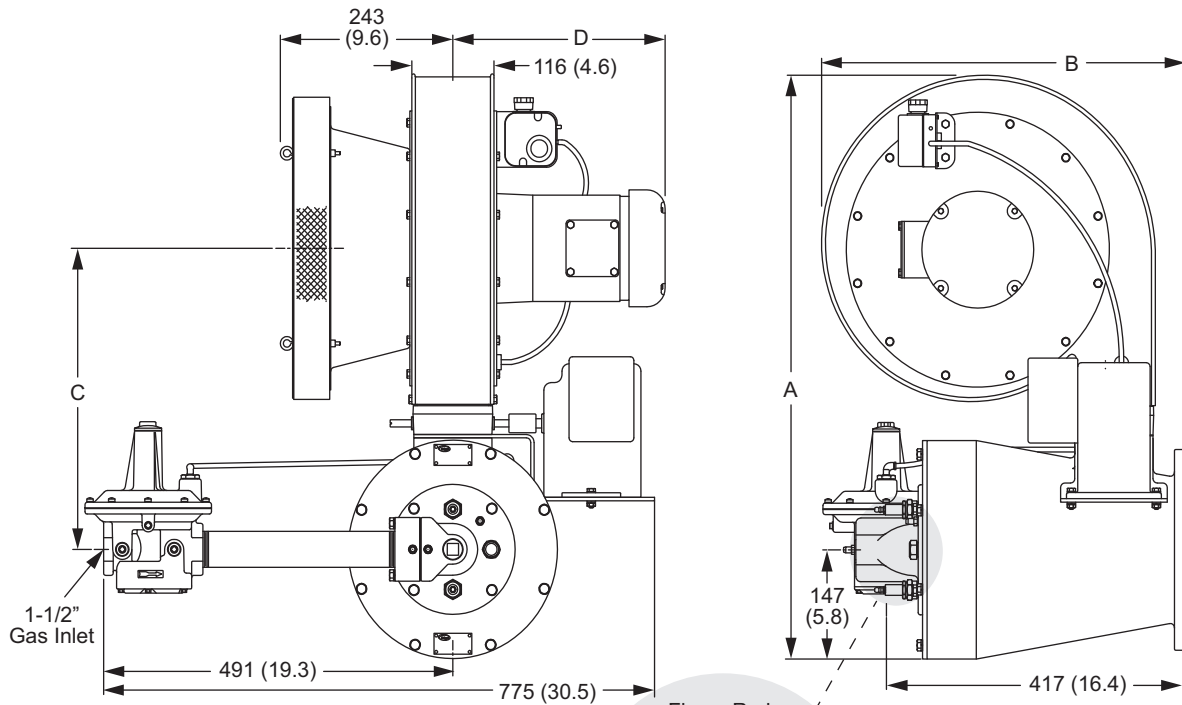


**Air Orifice  $\Delta p$  vs. Input @ 3% O<sub>2</sub>**  
Measured from Tap "A" to Tap "C"



## Dimensions & Specifications

Dimensions in mm (inches)



Blower 6" w.c.	A	B	C	D
60 Hz	725 (28.5)	452 (17.8)	374 (14.7)	315 (12.4)
50 Hz	725 (28.5)	452 (17.8)	374 (14.7)	263 (10.4)
Blower 10" w.c.	A	B	C	D
60 Hz	786 (31.0)	512 (20.2)	405 (16.0)	348 (13.7)
50 Hz	786 (31.0)	512 (20.2)	405 (16.0)	304 (12.0)

### Remote Blower

