

## TECHNICAL BULLETIN

\*\*\*“NEW”\*\*\*



### APQ “CIVIC” REGULATORS

This 25mm gas pressure regulator incorporates dual-stage pressure reduction with OPSO (OverPressure Shut Off) in a compact and versatile design.

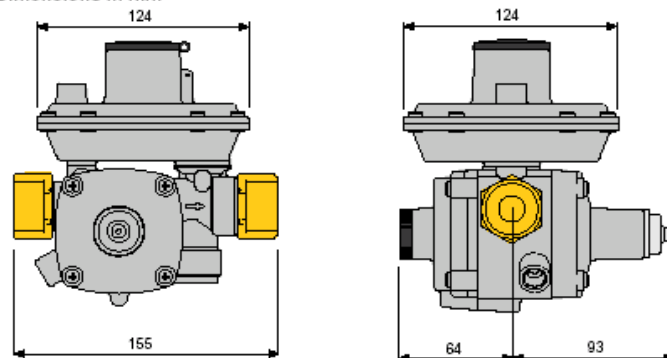
These features set it apart from ‘traditional’ single-stage type OPSO regulators because there is no need to change the internal orifice according to changing inlet pressures or flow rates.

The small atmospheric vent ports also mean that the CIVIC regulator can often be installed indoors without the need to install a vent pipe to outside\*, saving you time and money.

The dual-stage function automatically compensates for variations of inlet pressure, resulting in a much more stable outlet pressure and flow rate than ‘traditional’ single-stage type OPSO regulators.

**TECHNICAL TIP: “THE THREE-LEGGED STOOL”**  
Sizing regulators is like a three-legged stool. In order for it to stand up, we need these three vital elements: **INLET PRESSURE, OUTLET PRESSURE, and FLOW RATE.** Without all three legs, the whole lot falls over!

Dimensions In mm



### Technical Checklist:

- Inlet pressure range: 10–500 kPa.
- Outlet pressure range: 1.1-15 kPa.
- OPSO setpoints from 3 to 25 kPa.
- Flow Range: 0 – 25m<sup>3</sup>/hr Nat.Gas
- 1<sup>st</sup> Stage Vent Port size: 2mm without thread.
- 2<sup>nd</sup> Stage Vent Port size: 3.5mm with ¼” BSP female thread.
- Inlet Filter: 0.5mm Stainless Mesh.
- Painted Finish
- 25mm brass inlet/outlet connections (can be bushed to 15 or 20mm)
- Outlet Test Point <7 kpa
- Optional Internal Relief
- Optional 90°Outlet position

For all enquiries regarding these regulators, please contact your nearest Techrite office.

\* Subject to proximity to sources of ignition, and AS 5601-2004, Appendix G for nomograms showing the minimum free ventilated airspace required, based on inlet pressure, and the 1<sup>st</sup> stage vent port size of 2mm, or the OPSO Setpoint, in relation to the 3.5mm vent port of the secondary stage.

**Victoria (Head Office)**  
12 Yiannis Court  
Springvale VIC 3171  
Phone 61 3 9549 4444  
Fax 61 3 9546 6069

**New South Wales**  
10/19 Boden Road  
Seven Hills NSW 2147  
Phone 61 2 9624 4486  
Fax 61 2 9624 6449

**Queensland**  
13/13 Ellerslie Road  
Meadowbrook QLD 4131  
Phone 61 7 3200 7877  
Fax 61 7 3200 8866

**Techrite Controls Australia Pty Ltd**  
ABN 30 006 959 495

Email [info@techrite.com.au](mailto:info@techrite.com.au) Website [www.techrite.com.au](http://www.techrite.com.au)